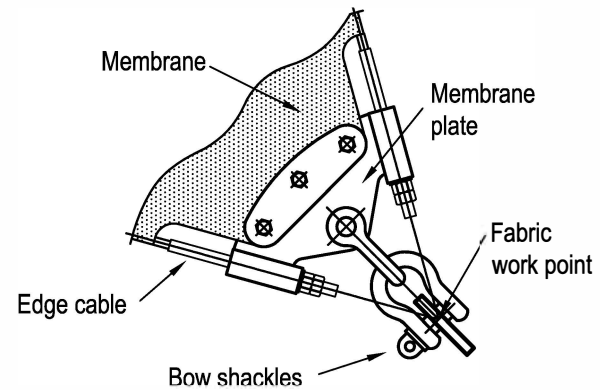
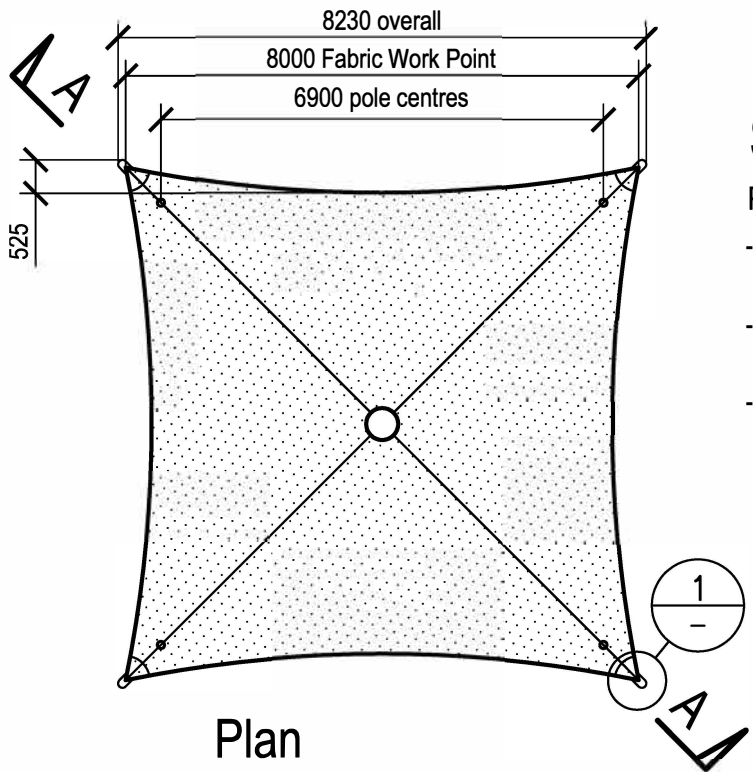


# 8m Square Model

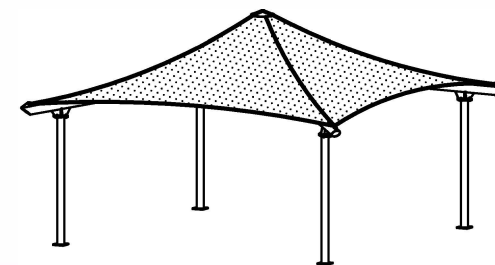
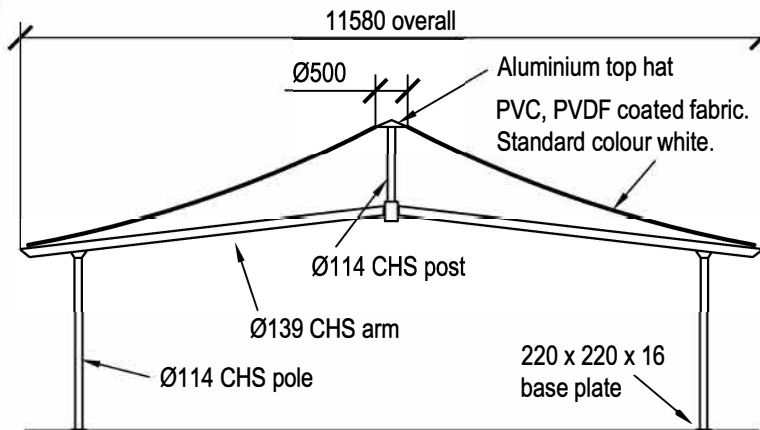
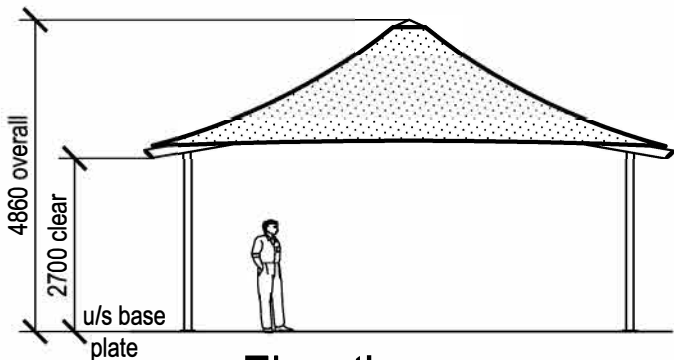
## SUA-PS80 (Contour Edge)

Permissible Design Wind Speed W33 (33m/sec)

- Overall dimensions represent clearance dimensions for the complete structure.
- A minimum of 100mm clearance to any buildings, poles etc. is recommended.
- Dimensions are in millimetres.



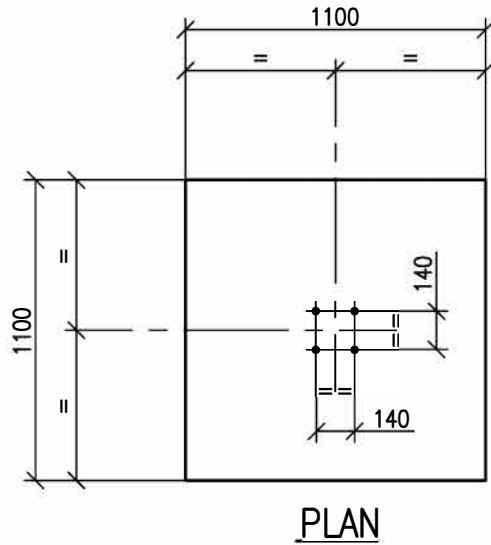
DETAIL 1  
Not to scale



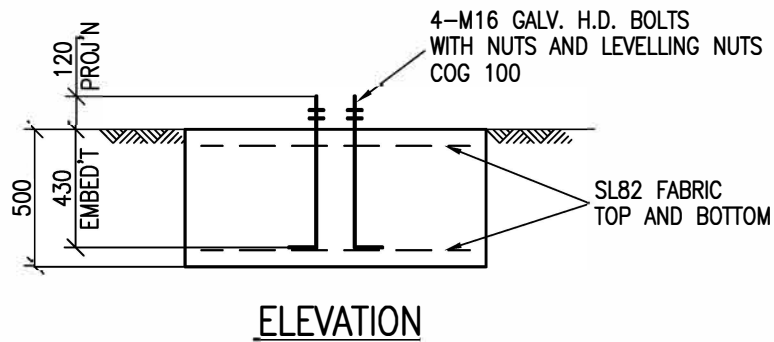
CORNER SUPPORT CONICAL  
MODULAR UMBRELLA

MODEL: SAU-PS80 (Contour)

street  
umbrellas  
Australia



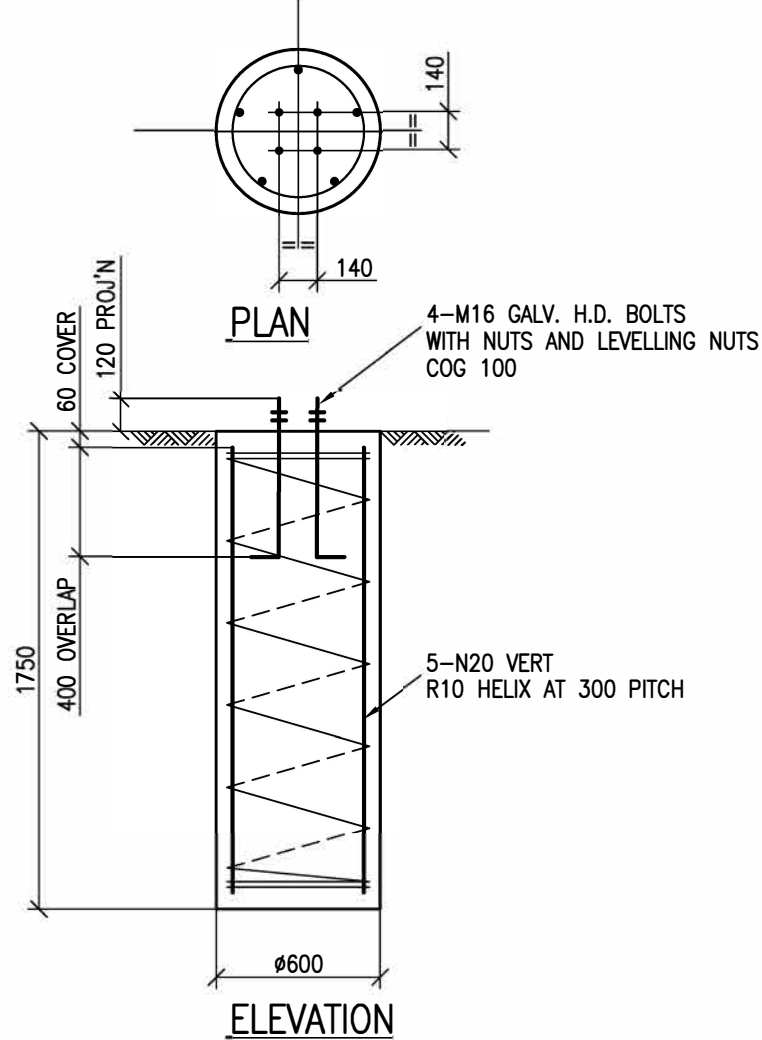
PLAN



ELEVATION

### SUA-PS80 - Pad Footing

1:20 AT A3



PLAN

ELEVATION

### SUA-PS80 - Pier Footing

1:20 AT A3

PERMISSIBLE DESIGN WIND SPEED : W33 (33m/s)

#### NOTES:

ASSUMED SOIL CONDITIONS:

PAD - BEARING CAPACITY 100kPa

PIER -  $C_u=50kPa$  (STIFF CLAY)

MINIMUM 60mm COVER TO ALL REINFORCEMENT

CONCRETE GRADE TO BE N25

20mm AGGREGATE SIZE

SLUMP 65mm

ANCHOR BOLT LOCATION TOLERANCES.

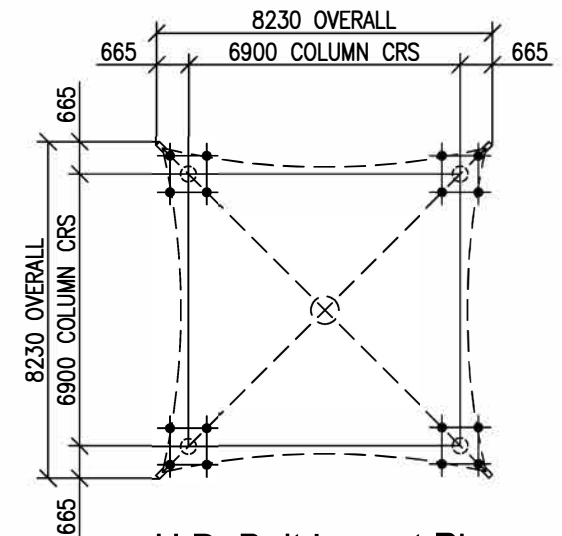
PER AS 4100-1990

- 3mm FOR ANCHOR BOLT CENTRES WITHIN AN ANCHOR BOLT GROUP.

- 6mm FOR ADJACENT ANCHOR BOLT GROUP CENTRES.

- MAXIMUM ACCUMULATION OF 6mm PER 30m NOT TO EXCEED A TOTAL OF 25mm.

- 6mm FROM ANCHOR BOLT GROUP CENTRE TO COLUMN LINE CENTRE.



### H.D. Bolt Layout Plan

NOT TO SCALE

CORNER SUPPORT CONICAL  
MODULAR UMBRELLA

MODEL: SAU-PS80 (Contour)

street  
umbrellas  
Australia