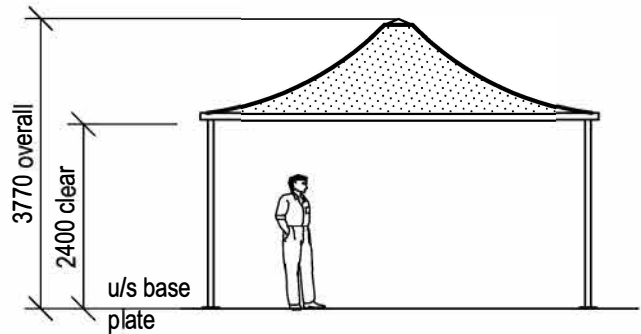


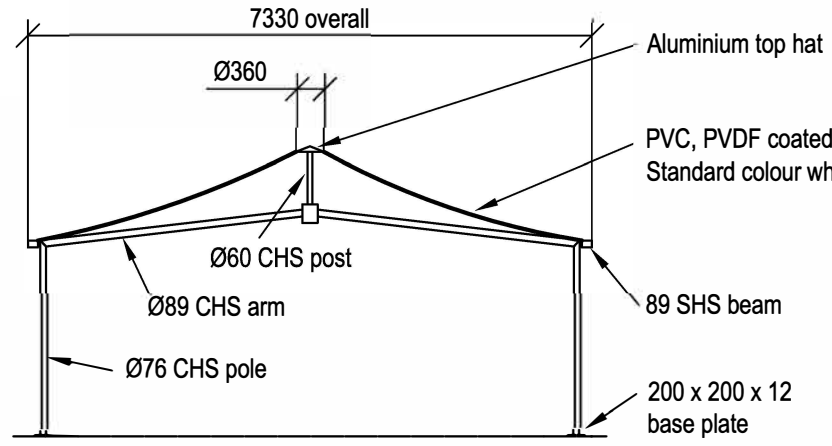
Plan



Elevation

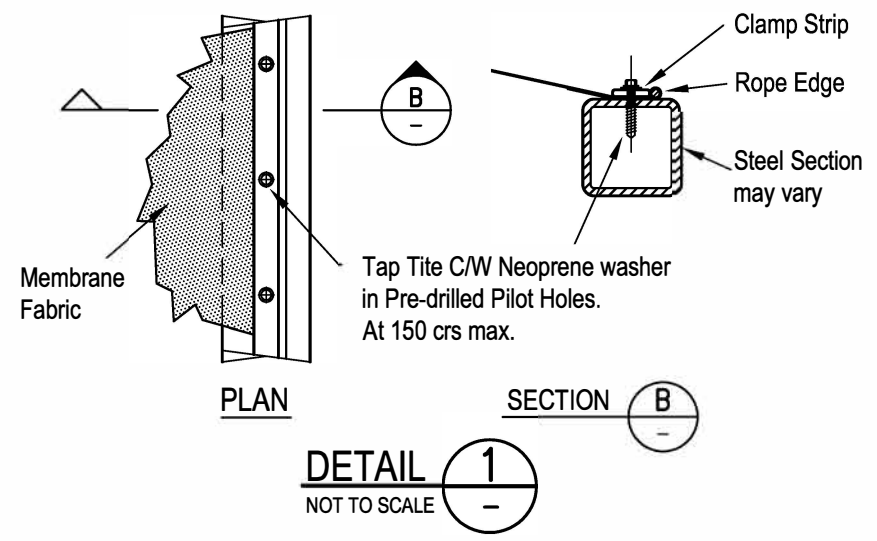
5m Square Corner Support
Model: SUA-PS50L (Linear Edge)

Permissible Design Wind Speed W33 (33m/sec)
 Australian Standard AS/NZS 1170.2 Wind Actions

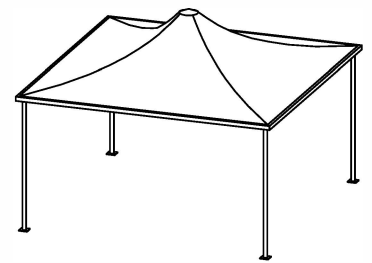


Section A-A

- Overall dimensions represent clearance dimensions for the complete structure.
- A minimum of 100mm clearance to any buildings, poles etc. is recommended.
- Dimensions are in millimetres.

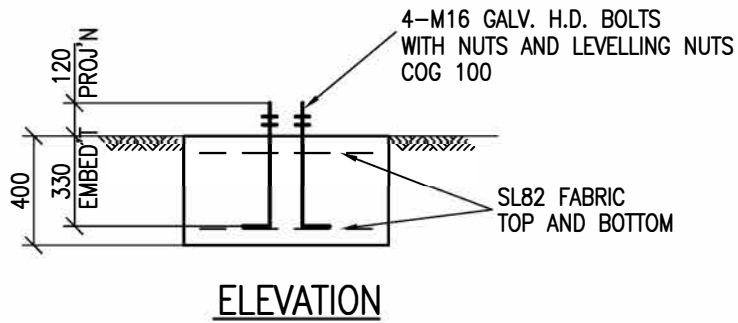
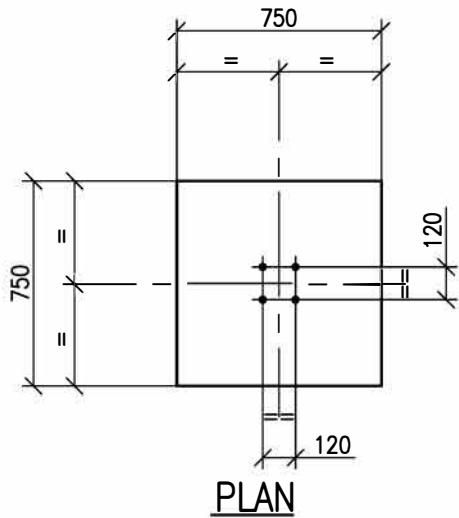


DETAIL 1
 NOT TO SCALE

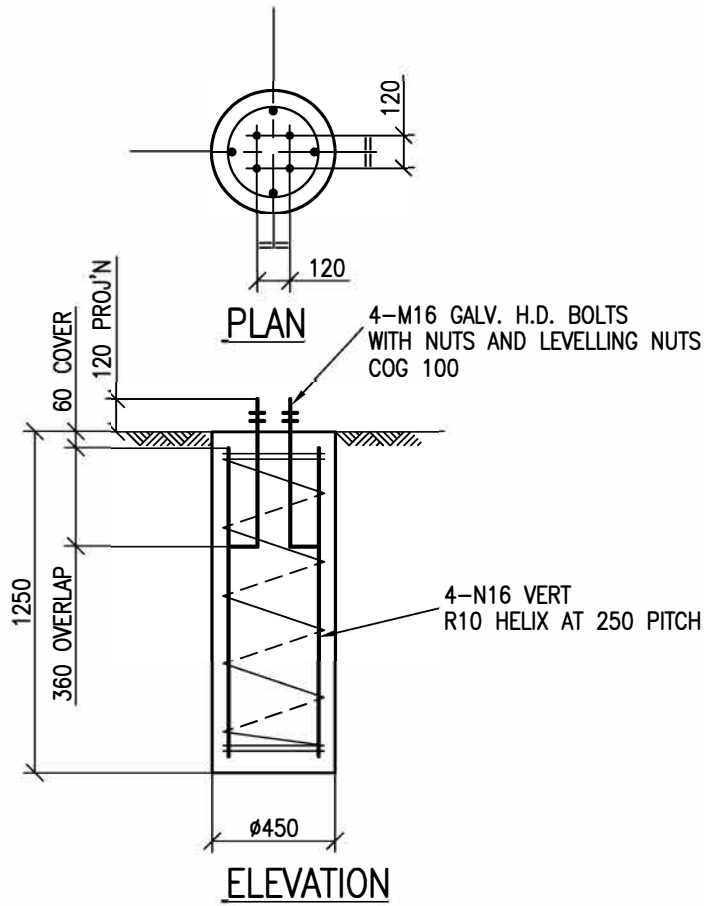


CORNER SUPPORT CONICAL
 MODULAR UMBRELLA
MODEL: SAU-PS50L (Linear)





SUA-PS50L - Pad Footing
1:20 AT A3



SUA-PS50L - Pier Footing
1:20 AT A3

PERMISSIBLE DESIGN WIND SPEED : W33 (33m/s)

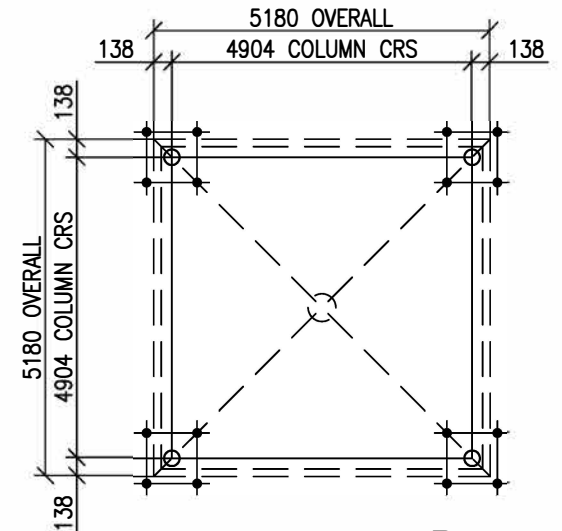
NOTES:

ASSUMED SOIL CONDITIONS:
PAD - BEARING CAPACITY 100kPa
PIER - $C_u=50kPa$ (STIFF CLAY)

MINIMUM 60mm COVER TO ALL REINFORCEMENT
CONCRETE GRADE TO BE N25
20mm AGGREGATE SIZE
SLUMP 65mm

ANCHOR BOLT LOCATION TOLERANCES.
PER AS 4100-1990

- 3mm FOR ANCHOR BOLT CENTRES WITHIN AN ANCHOR BOLT GROUP.
- 6mm FOR ADJACENT ANCHOR BOLT GROUP CENTRES.
- MAXIMUM ACCUMULATION OF 6mm PER 30m NOT TO EXCEED A TOTAL OF 25mm.
- 6mm FROM ANCHOR BOLT GROUP CENTRE TO COLUMN LINE CENTRE.



H.D. Bolt Layout Plan
NOT TO SCALE

CORNER SUPPORT CONICAL
MODULAR UMBRELLA

MODEL: SAU-PS50L (Linear)

**street
umbrellas**
Australia