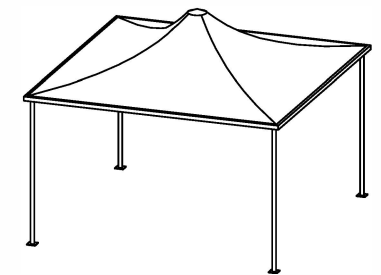


## 4m Square Corner Support Model: SUA-PS40L (Linear Edge)

Permissible Design Wind Speed W33 (33m/sec)

Australian Standard AS/NZS 1170.2 Wind Actions

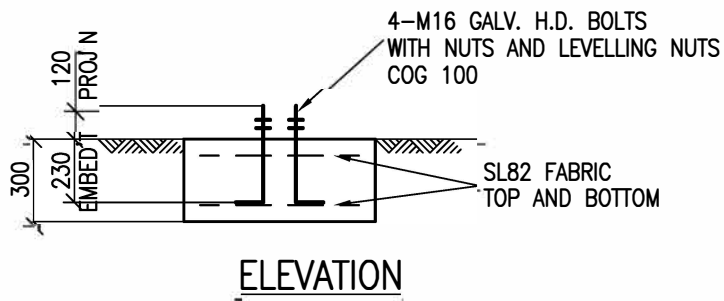
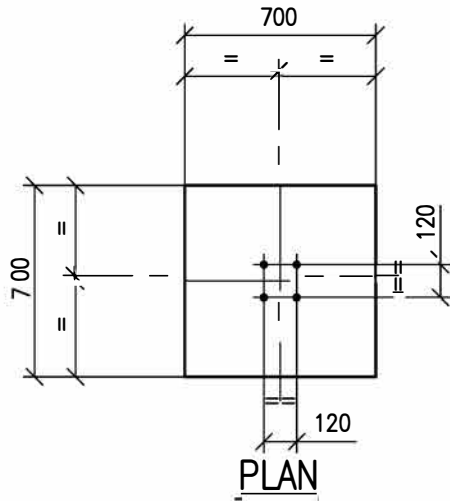
- Overall dimensions represent clearance dimensions for the complete structure.
- A minimum of 100mm clearance to any buildings, poles etc. is recommended.
- Dimensions are in millimetres.



CORNER SUPPORT CONICAL  
MODULAR UMBRELLA

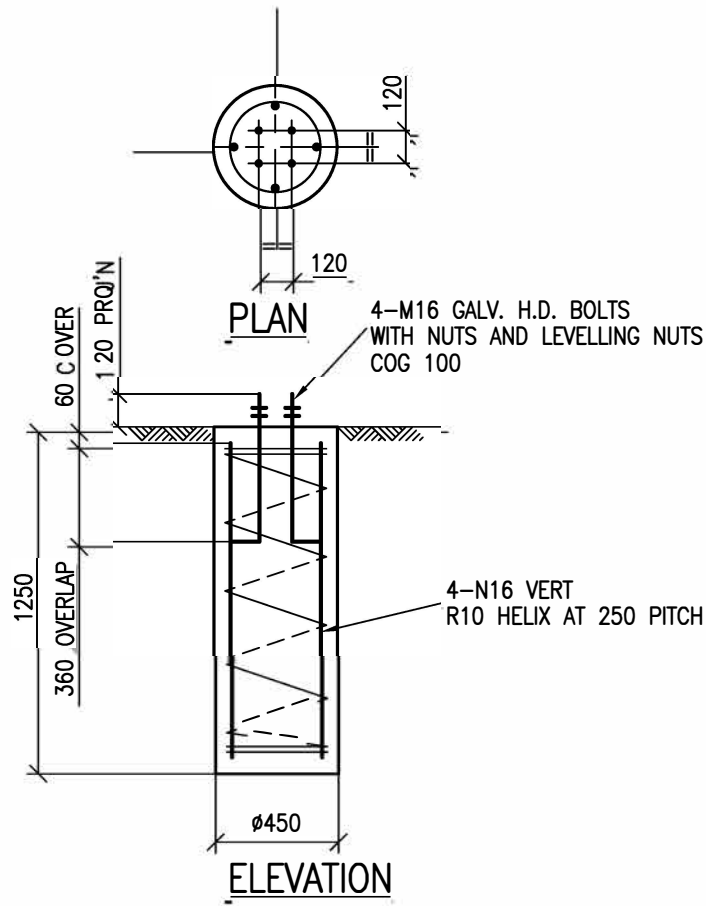
MODEL: SAU-PS40L (Linear)

street  
umbrellas  
Australia



**SUA-PS40L Pad Footing**

1:20 AT A3



**SUA-PS40L Pier Footing**

1:20 AT A3

**PERMISSIBLE DESIGN WIND SPEED : W33 (33m/s)**

**NOTES:**

ASSUMED SOIL CONDITIONS:

PAD – BEARING CAPACITY 100kPa

PIER –  $C_u=50kPa$  (STIFF CLAY)

MINIMUM 60mm COVER TO ALL REINFORCEMENT

CONCRETE GRADE TO BE N25

20mm AGGREGATE SIZE

SLUMP 65mm

ANCHOR BOLT LOCATION TOLERANCES.

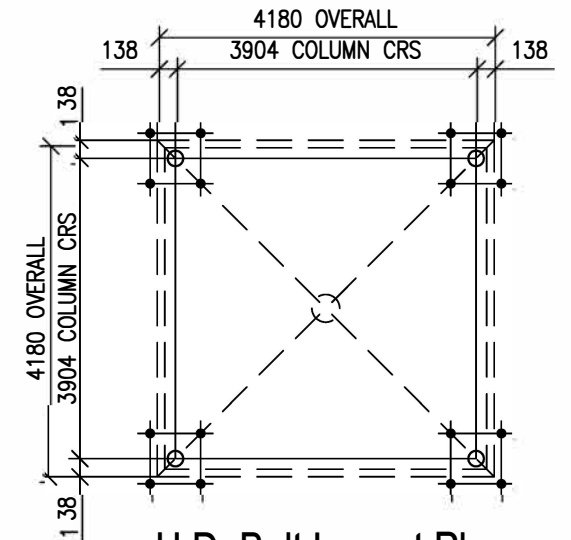
PER AS 4100-1990

– 3mm FOR ANCHOR BOLT CENTRES WITHIN AN ANCHOR BOLT GROUP.

– 6mm FOR ADJACENT ANCHOR BOLT GROUP CENTRES.

– MAXIMUM ACCUMULATION OF 6mm PER 30m NOT TO EXCEED A TOTAL OF 25mm.

– 6mm FROM ANCHOR BOLT GROUP CENTRE TO COLUMN LINE CENTRE.



**H.D. Bolt Layout Plan**

NOT TO SCALE

CORNER SUPPORT CONICAL  
MODULAR UMBRELLA

MODEL: SAU-PS40L (Linear)

**street  
umbrellas**  
Australia