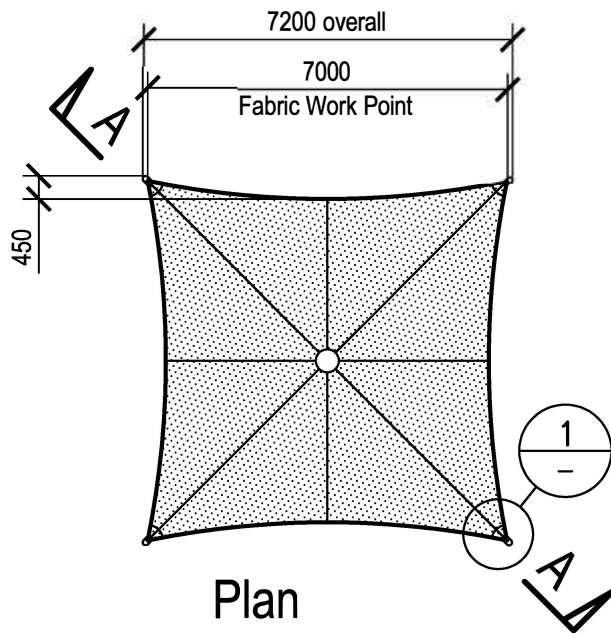
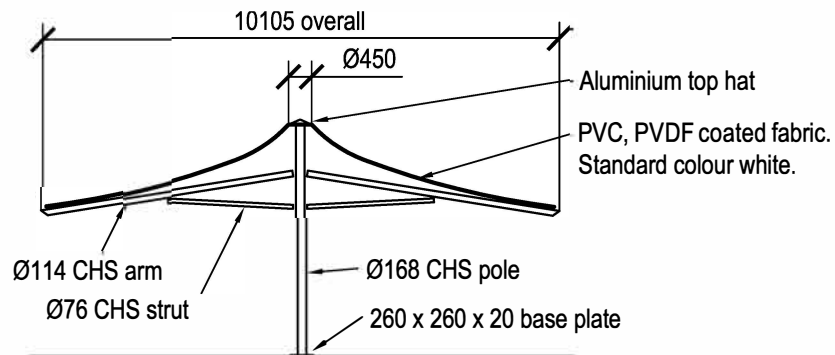
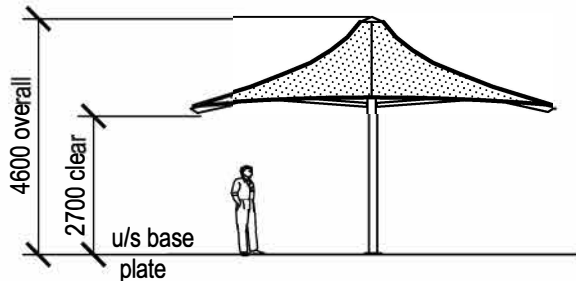
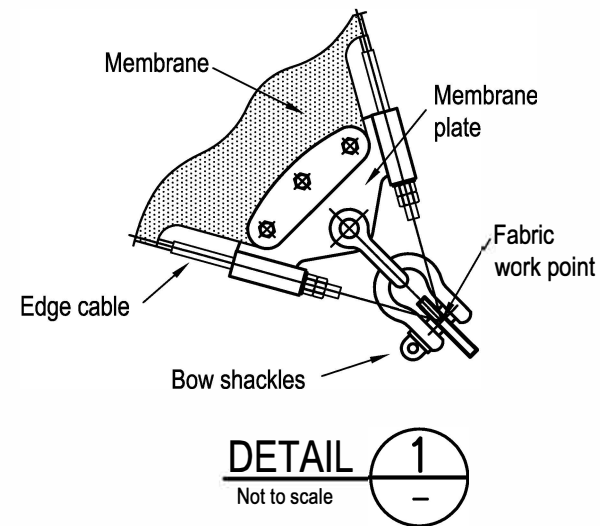


CENTRE SUPPORT - CONICAL

Model: SUA-MS70 (Contour Edge)



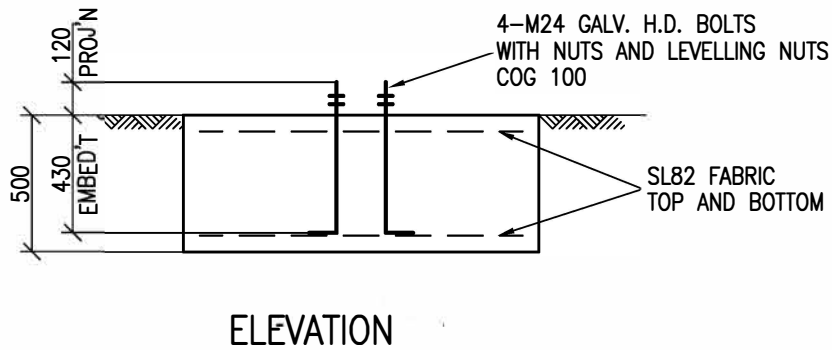
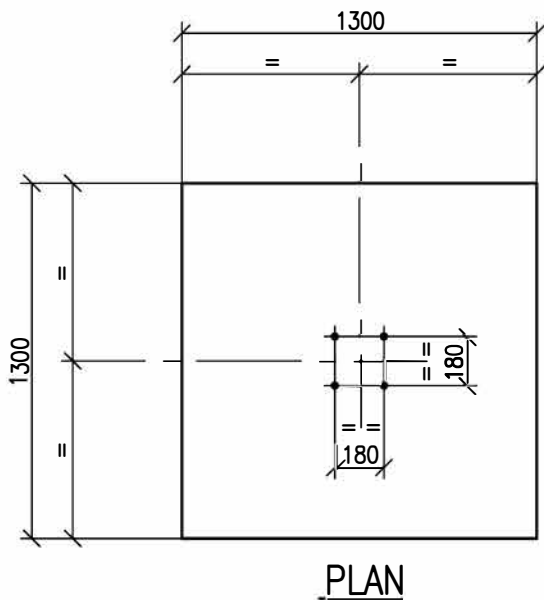
- Overall dimensions represent clearance dimensions for the complete structure.
- A minimum of 100mm clearance to any buildings, poles etc. is recommended.
- Dimensions are in millimetres.



CENTRE SUPPORT - CONICAL
MODULAR UMBRELLA RANGE

Model: SUA-MS70 (Contour Edge)

street
umbrellas
Australia

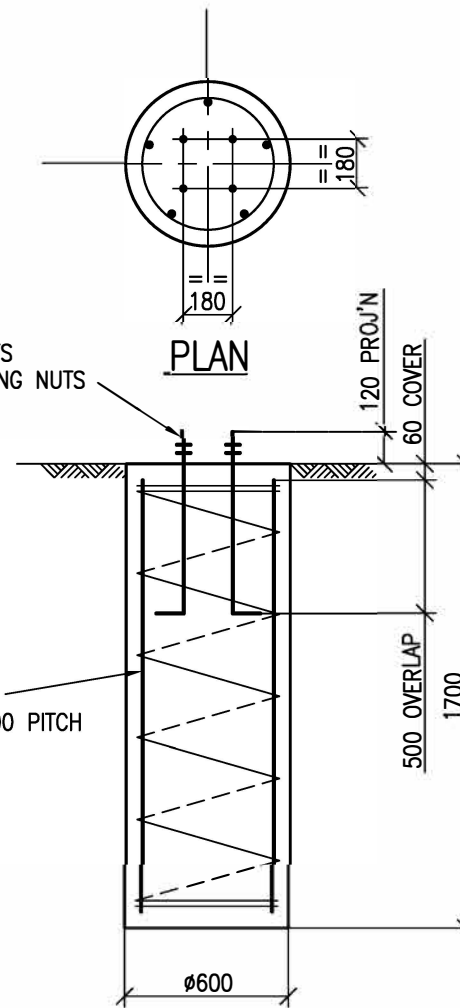


SUA-MS70 Pad Footing

1:20 AT A3

4-M24 GALV. H.D. BOLTS
WITH NUTS AND LEVELLING NUTS
COG 100

5-N20 VERTICAL
R10 HELIX AT 300 PITCH



SUA-MS70 - Pier Footing

1:20 AT A3

PLAN

PERMISSIBLE DESIGN WIND SPEED : W33 (33m/s)

NOTES:

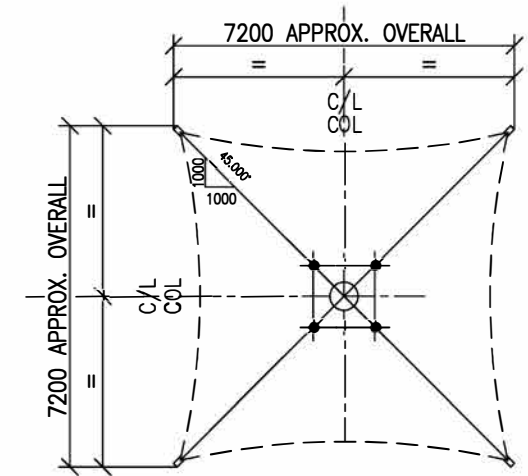
ASSUMED SOIL CONDITIONS:
PAD - BEARING CAPACITY 100kPa
PIER - $C_u=50kPa$ (STIFF CLAY)

MINIMUM 60mm COVER TO ALL REINFORCEMENT
CONCRETE GRADE TO BE N25
20mm AGGREGATE SIZE
SLUMP 65mm

ANCHOR BOLT LOCATION TOLERANCES.

PER AS 4100-1990

- 3mm FOR ANCHOR BOLT CENTRES WITHIN AN ANCHOR BOLT GROUP.
- 6mm FOR ADJACENT ANCHOR BOLT GROUP CENTRES.
- MAXIMUM ACCUMULATION OF 6mm PER 30m NOT TO EXCEED A TOTAL OF 25mm.
- 6mm FROM ANCHOR BOLT GROUP CENTRE TO COLUMN LINE CENTRE.



H.D. Bolt Layout Plan
NOT TO SCALE

**CENTRE SUPPORT - CONICAL
MODULAR UMBRELLA RANGE**

Model: SUA-MS70 (Contour Edge)

**street
umbrellas**
Australia