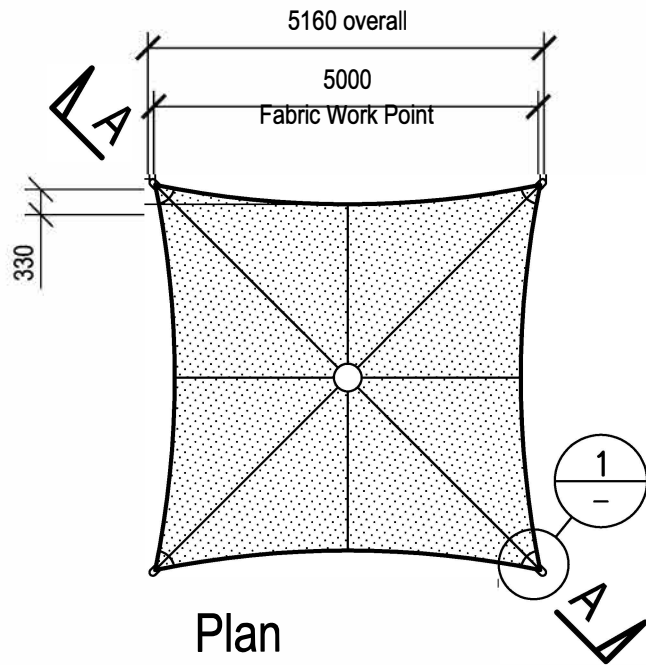
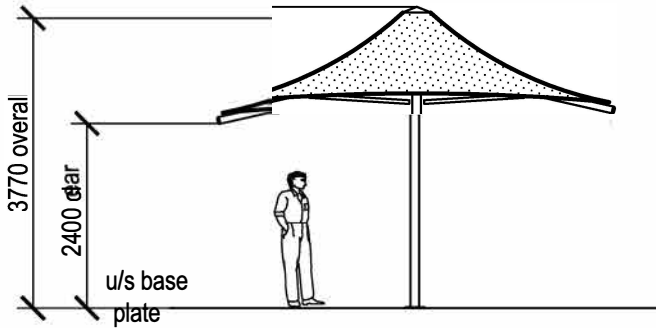


CENTRE SUPPORT - CONICAL

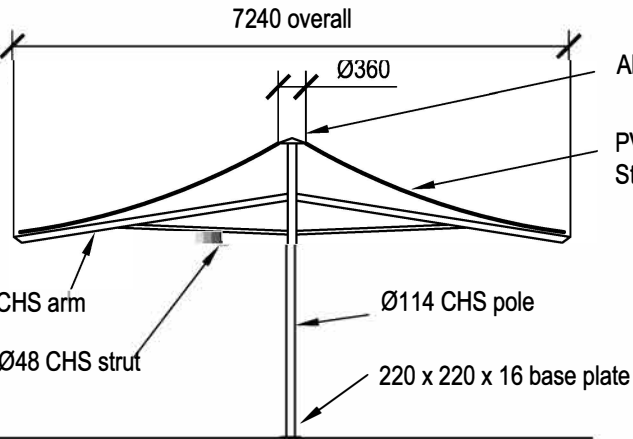
Model: SUA-MS50 (Contour Edge)



Plan

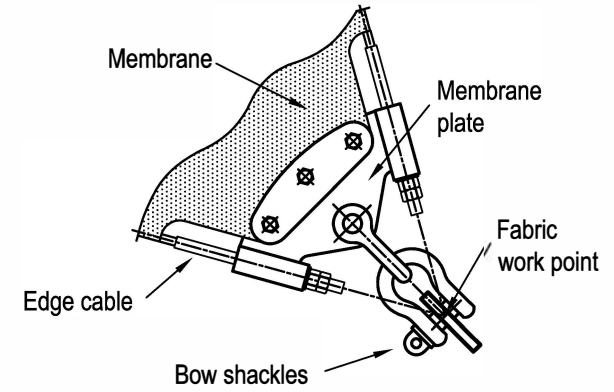


Elevation



Section A-A

Aluminium top hat
PVC, PVDF coated fabric.
Standard colour white.



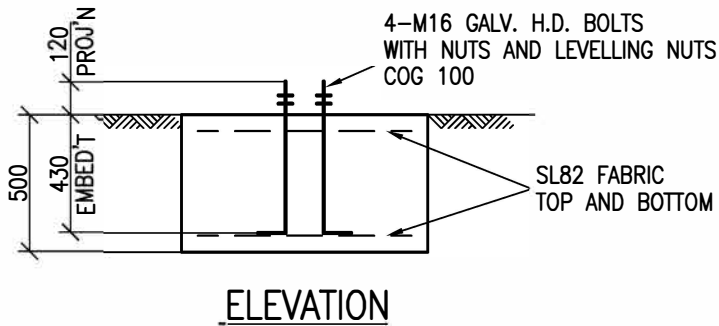
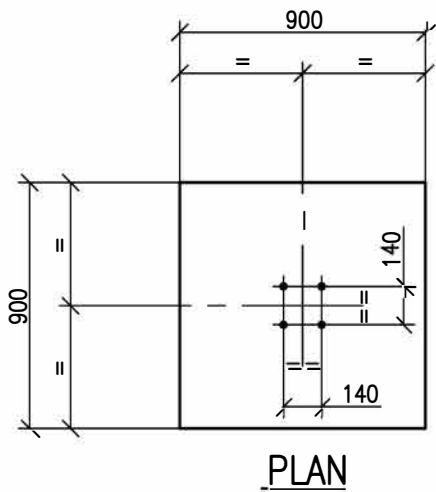
DETAIL 1
Not to scale



CENTRE SUPPORT - CONICAL
MODULAR UMBRELLA RANGE

Model: SUA-MS50 (Contour Edge)

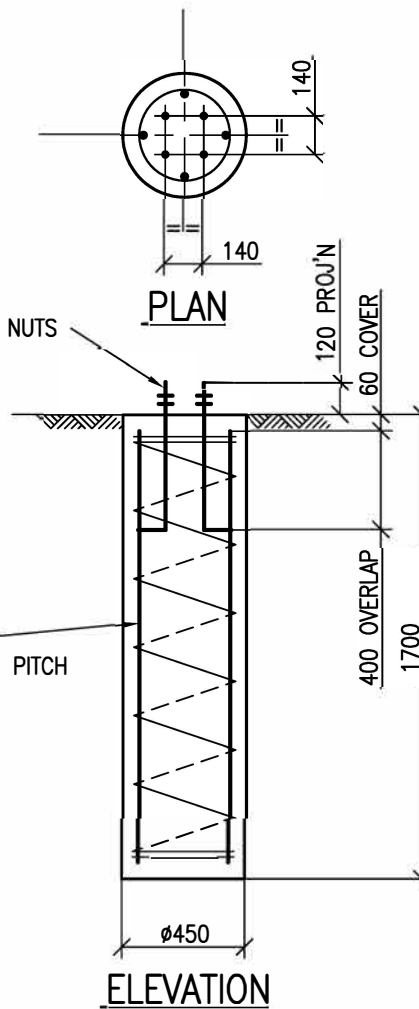
street
umbrellas
Australia



SUA-MS50 Pad Footing

1:20 AT A3

4-M16 GALV. H.D. BOLTS
WITH NUTS AND LEVELLING NUTS
COG 100



SUA-MS50 - Pier Footing

1:20 AT A3

PERMISSIBLE DESIGN WIND SPEED : W33 (33m/s)

NOTES:

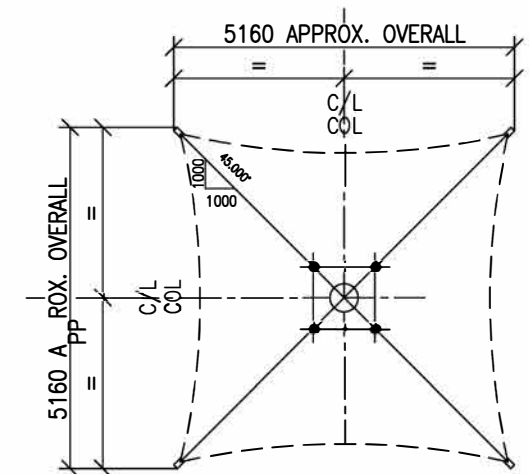
ASSUMED SOIL CONDITIONS:
PAD - BEARING CAPACITY 100kPa
PIER - $C_u=50kPa$ (STIFF CLAY)

MINIMUM 60mm COVER TO ALL REINFORCEMENT
CONCRETE GRADE TO BE N25
20mm AGGREGATE SIZE
SLUMP 65mm

ANCHOR BOLT LOCATION TOLERANCES.

PER AS 4100-1990

- 3mm FOR ANCHOR BOLT CENTRES WITHIN AN ANCHOR BOLT GROUP.
- 6mm FOR ADJACENT ANCHOR BOLT GROUP CENTRES.
- MAXIMUM ACCUMULATION OF 6mm PER 30m NOT TO EXCEED A TOTAL OF 25mm.
- 6mm FROM ANCHOR BOLT GROUP CENTRE TO COLUMN LINE CENTRE.



H.D. Bolt Layout Plan

NOT TO SCALE

**CENTRE SUPPORT - CONICAL
MODULAR UMBRELLA RANGE**

**street
umbrellas**
Australia

Model: SUA-MS50 (Contour Edge)