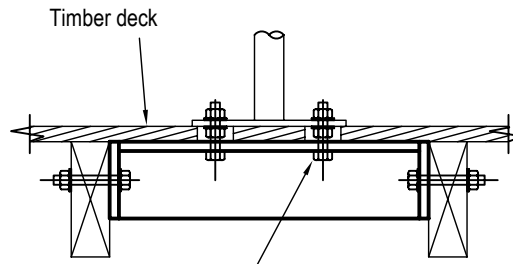


Fix pole base plate to bracket through deck with M12 4.6/S galvanised bolts.

Fix bracket to joists with 2-M12 4.6/S galvanised bolts per joist.

Cross Section



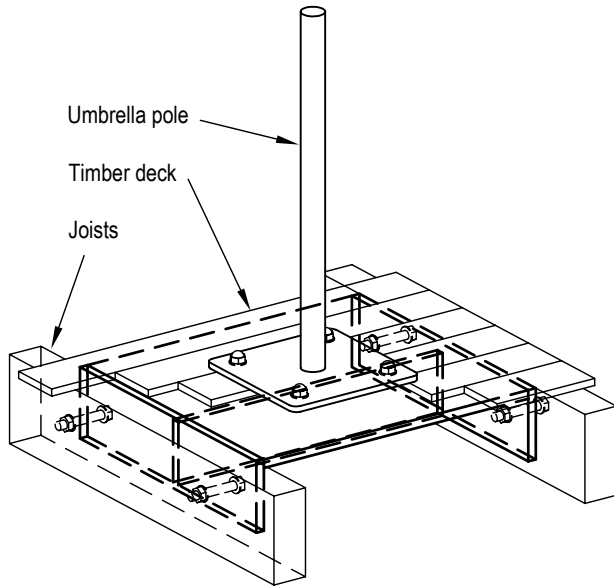
Alternate Detail
Weld M12 bolts to bracket and use levelling nuts under pole base plate.

Cross Section

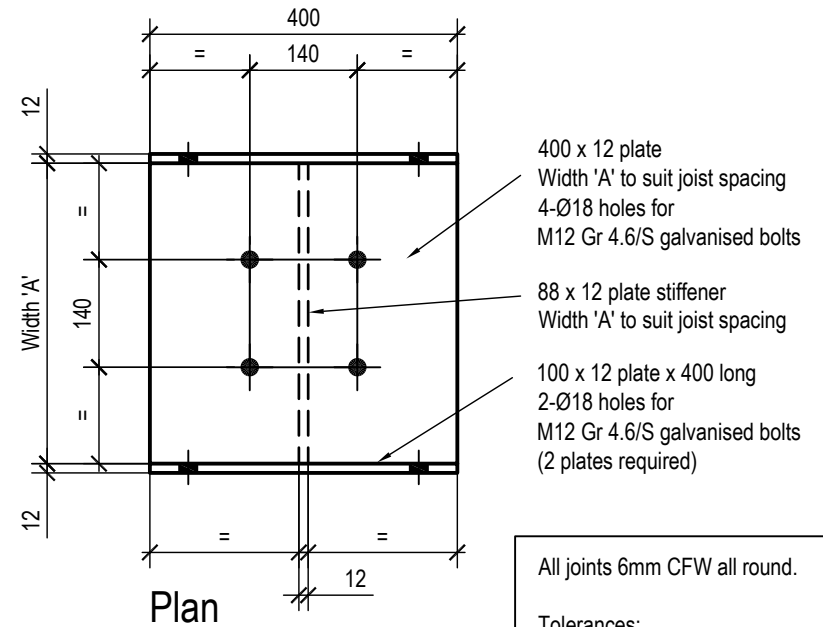
NOTE:
The existing timber deck will need to be checked for adequacy by an Engineer before the umbrella is installed.

Suitable Umbrellas for Timber Decks
Porta - P21, P32
Centra - CS27, CS32, CS38, CS40
CR45, CTS43, CO40, CO50.

Other models, for fixing to decks, will be assessed according to the site conditions.



Timber Deck Installation



400 x 12 plate
Width 'A' to suit joist spacing
4-Ø18 holes for
M12 Gr 4.6/S galvanised bolts

88 x 12 plate stiffener
Width 'A' to suit joist spacing

100 x 12 plate x 400 long
2-Ø18 holes for
M12 Gr 4.6/S galvanised bolts
(2 plates required)

All joints 6mm CFW all round.

Tolerances:
Less than 50mm +0.5mm -0.5mm
50mm to 2000mm +1.0mm -1.0mm

All edges to be radiused or chamfered a minimum 2mm.

Finish to be hot dipped galvanised.

Plan

Elevation

Bracket - Steel Details