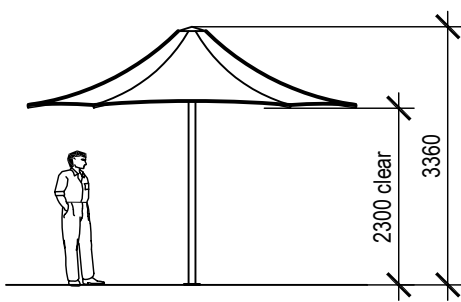


Plan
1:100 at A4



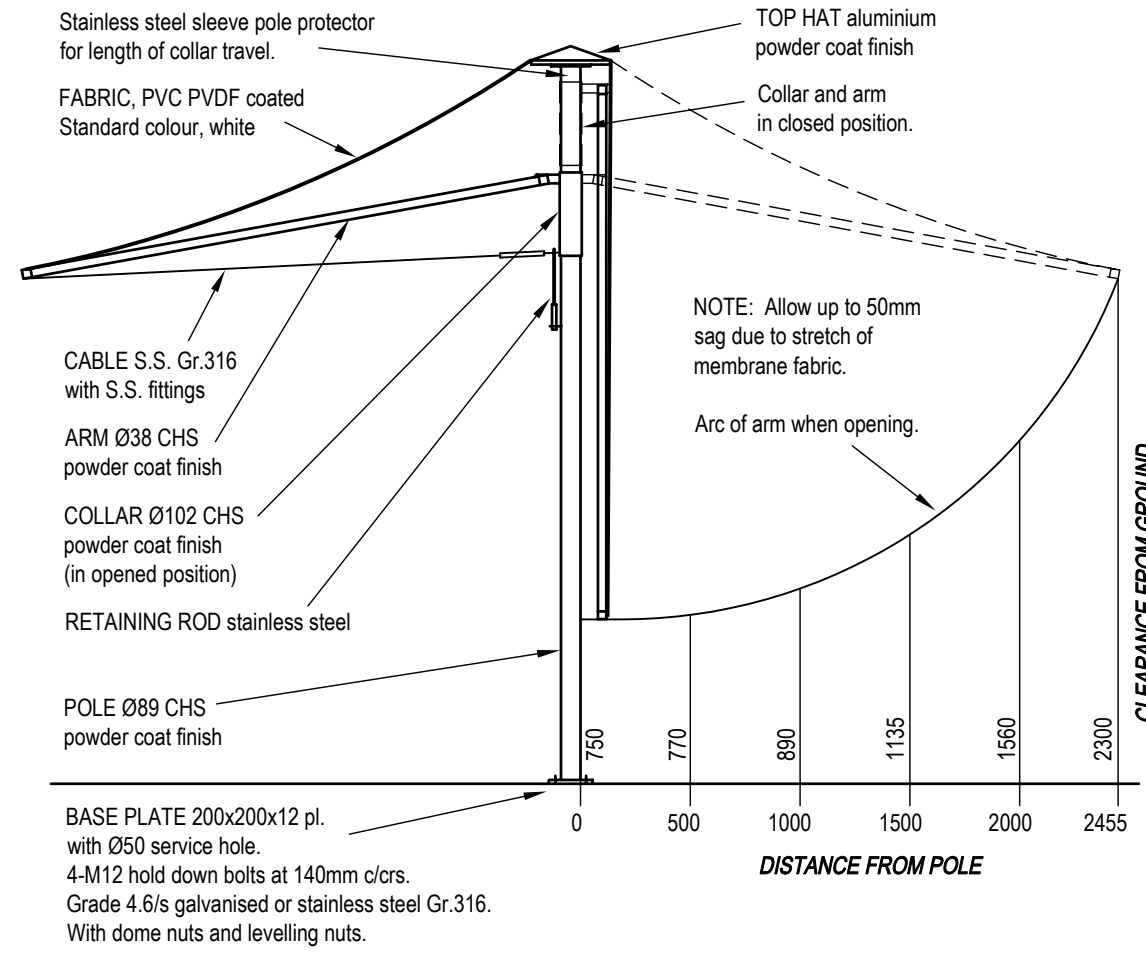
Elevation
1:100 at A4

TRUNCATED SQUARE 4.3m -

Wind Rating: 33m/sec (120km/h)
Rated when umbrella is fully erected.
Umbrella weight: 88kg

Overall dimensions represent clearance dimensions for the complete umbrella.
Membrane dimensions differ, depending on variations in tensioning and fabrication.

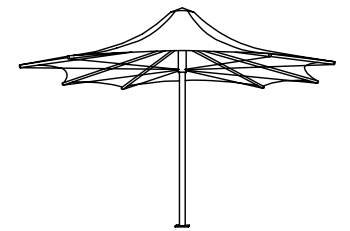
Dimensions are in millimetres.



OPENED POSITION

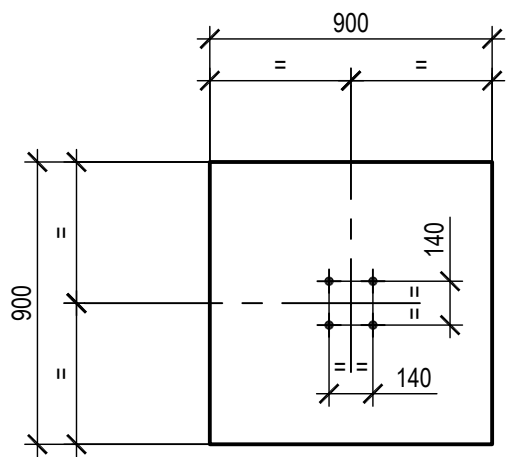
CLOSED POSITION

4.3m Centre Support Truncated Square Umbrella Model SUA-CTS43

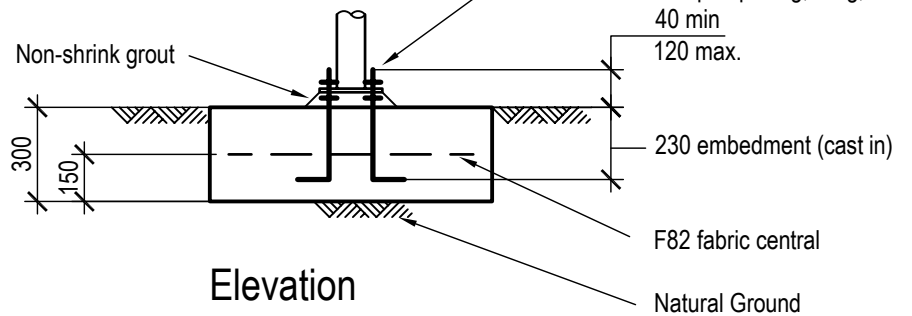


Centre Support Truncated Square
Umbrella. Model:SUA-CTS43



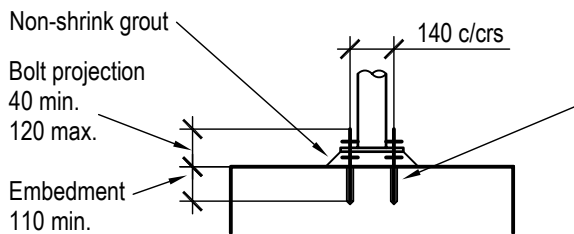


Plan



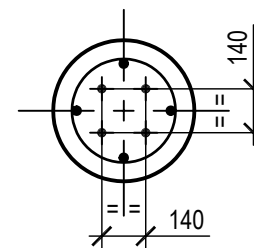
Elevation

SUA-CTS43 Pad Footing

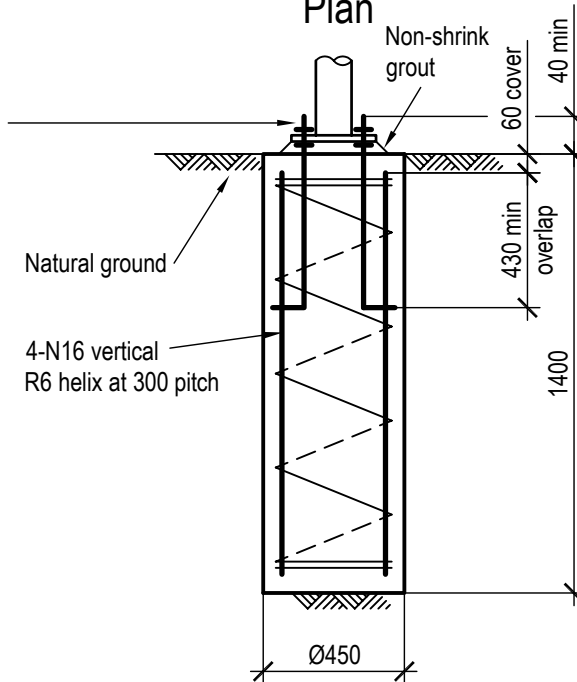


Chemical Anchor Detail

4-M12 H.D. bolts to be threaded rod grade 4.6/s hot dipped galvanised, or stainless steel Gr.316. Supplied with nuts, washers and levelling nuts. Chemical anchors, at 140 x 140 centres to be 'Hilti HVU', or engineer approved equivalent, and to be installed in accordance with the manufacturer's instructions. Hole to be clean and dry at time of installation.



Plan



Elevation

SUA-CTS43 Pier Footing



Notes:

Design wind speed 33m/sec (W33)

Assumed soil conditions:

Pad - bearing capacity 100kPa

Pier - cu=50kPa (stiff clay)

Minimum 60mm cover to all reinforcement

Concrete grade to be N25

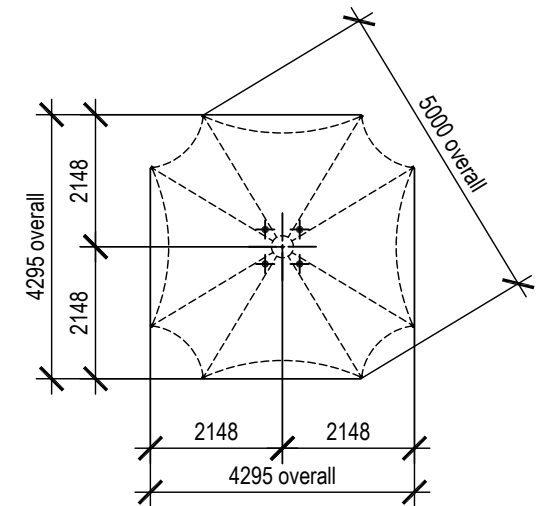
20mm aggregate size

Slump 65mm

Anchor bolt location tolerances per

Australian Standard AS 4100-1990

- 3mm for anchor bolt centres within an anchor bolt group.
- 6mm for adjacent anchor bolt group centres.
- Maximum accumulation of 6mm per 30m not to exceed a total of 25mm.
- 6mm from anchor bolt group centre to column line centre.



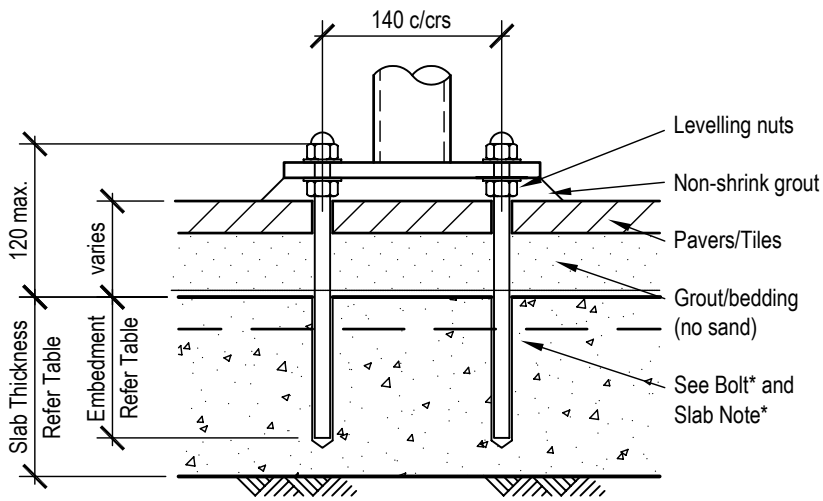
H.D. Bolt Layout Plan

Not to scale

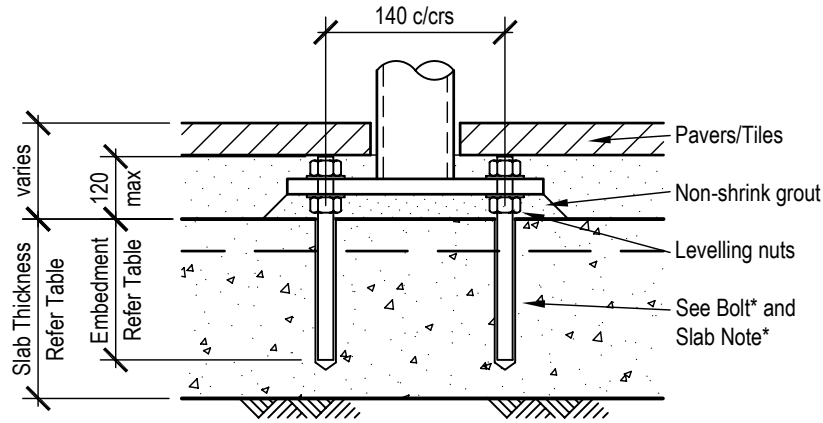
Centre Support Truncated Square Umbrella. Model: SUA-CTS43

Footing Detail

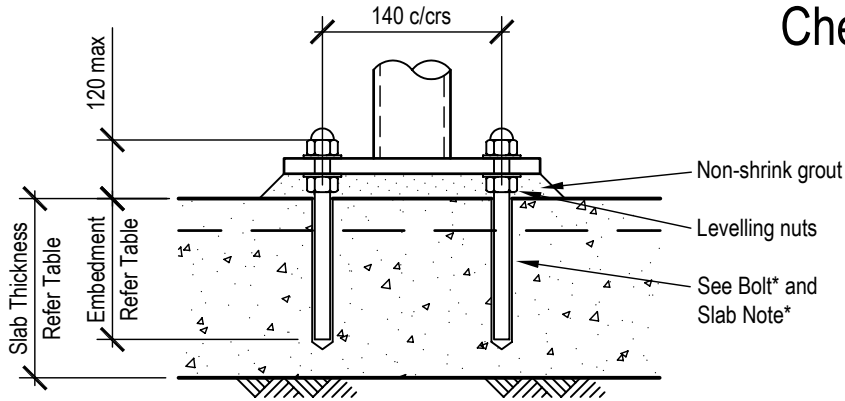




Over Pavers



Under Pavers



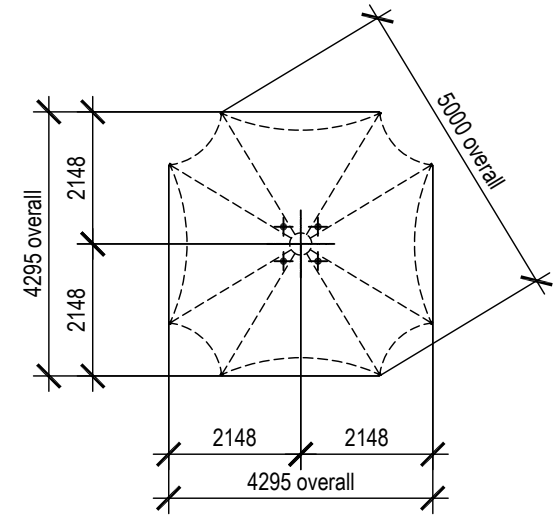
On Slab

Chemical Anchor Fixing to Slab on Ground

*** H.D. BOLT NOTE**
 Structure pole has 200 x 200 x 12 base plate.
 4-M12 H.D. bolts to be threaded rod grade 4.6/s
 hot dipped galvanised, or stainless steel Gr.316.
 at 140 x 140 centres.

*** SLAB ON GROUND NOTE**
 The existing reinforced concrete slab on
 ground is to be approved for adequacy by
 a Structural Engineer before installation.
 Concrete strength - f_c 25MPa.
 Installation requires **1 sq m** of continuous
 reinforced slab with the pole centre 400mm
 minimum from a slab edge or control joint.

Contact a SUA Dealer if the slab does not meet
 any of the requirements.



H.D. Bolt Layout Plan
 Not to scale

Slab Thickness	Chemical Anchor	Min. Embedment	H.D. Bolts*	Min. Slab Edge Distance*
100	Ramset Reo 502 (or Hilti HIT-RE 500)	80	4-M12 at 140 c/crs	400
110	Ramset Reo 502 (or Hilti HIT-RE 500)	90	4-M12 at 140 c/crs	400
120	Ramset Reo 502 (or Hilti HIT-RE 500)	100	4-M12 at 140 c/crs	400
130	Hilti HVU	110	4-M12 at 140 c/crs	400
140 plus	Hilti HVU	110	4-M12 at 140 c/crs	400

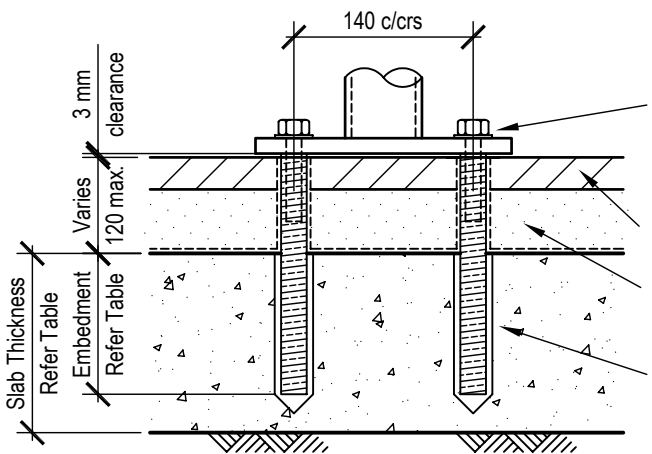
Chemical anchor to be as above or Engineer approved equivalent,
 and to be installed in accordance with the manufacturer's instructions.

Installation Detail - Model SUA-CTS43

Centre Support Truncated Square
 Umbrella. Model:SUA-CTS43

street
 umbrellas
 Australia

Existing Slab on Ground



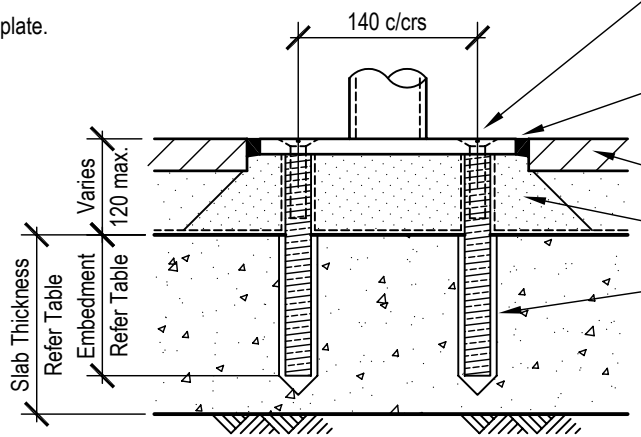
Over Pavers

Structure pole with 200 x 200 x 12 base plate. 4-M12 S.S. Gr.316 set screws.

Pavers/Tiles

Grout/bedding (no sand)

See Ferrule* and Slab Note*



At Pavers

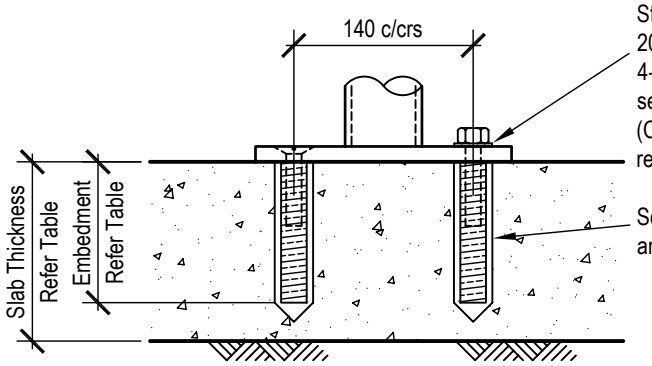
Structure pole with 200 x 200 x 12 base plate. 4-M12 S.S. Gr.316 counter-sunk set screws.

Flexible sealant (Mastic or similar)

Pavers/Tiles

Non-shrink grout

See Ferrule* and Slab Note*

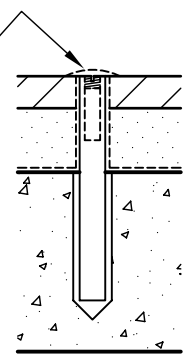


On Slab

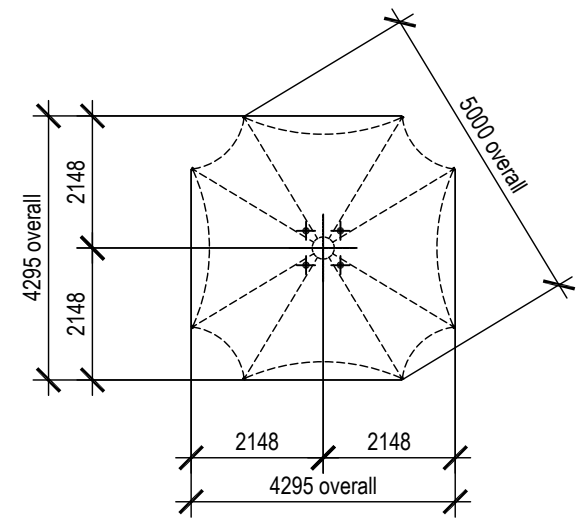
Structure pole with 200 x 200 x 12 base plate. 4-M12 S.S. Gr.316 set screws. (Counter-sunk option if required)

See Ferrule* and Slab Note*

Rubber grommets, stainless steel grub screws with hex socket or brass flat dome head screws, screw into ferrule flush with paving to keep ferrule thread clean.



Ferrule Fixing with Umbrella Removed



H.D. Bolt Layout Plan
Not to scale

Chemical Anchor Fixing to Slab on Ground

Slab Thickness	Chemical Anchor	Min. Embedment	Ferrules*	Min. Slab Edge Distance*
100	Ramset Reo 502 (or Hilti HIT-RE 500)	80	4-M12 at 140 c/crs	400
110	Ramset Reo 502 (or Hilti HIT-RE 500)	90	4-M12 at 140 c/crs	400
120	Ramset Reo 502 (or Hilti HIT-RE 500)	100	4-M12 at 140 c/crs	400
130	Hilti HVU	110	4-M12 at 140 c/crs	400
140 plus	Hilti HVU	110	4-M12 at 140 c/crs	400

Chemical anchor to be as above or Engineer approved equivalent, and to be installed in accordance with the manufacturer's instructions.

Ferrule Detail Model SUA-CTS43

*** FERRULE NOTE**
Ferrules at 140 x 140 centres are M20 stainless steel Gr.316 threaded rods tapped for M12.

*** SLAB ON GROUND NOTE**
The existing reinforced concrete slab on ground is to be approved for adequacy by a Structural Engineer before installation. Concrete strength - f_c 25MPa. Installation requires 1 sq m of continuous reinforced slab with the pole centre 400mm minimum from a slab edge or control joint.

Contact a SUA Dealer if the slab does not meet any of the requirements.