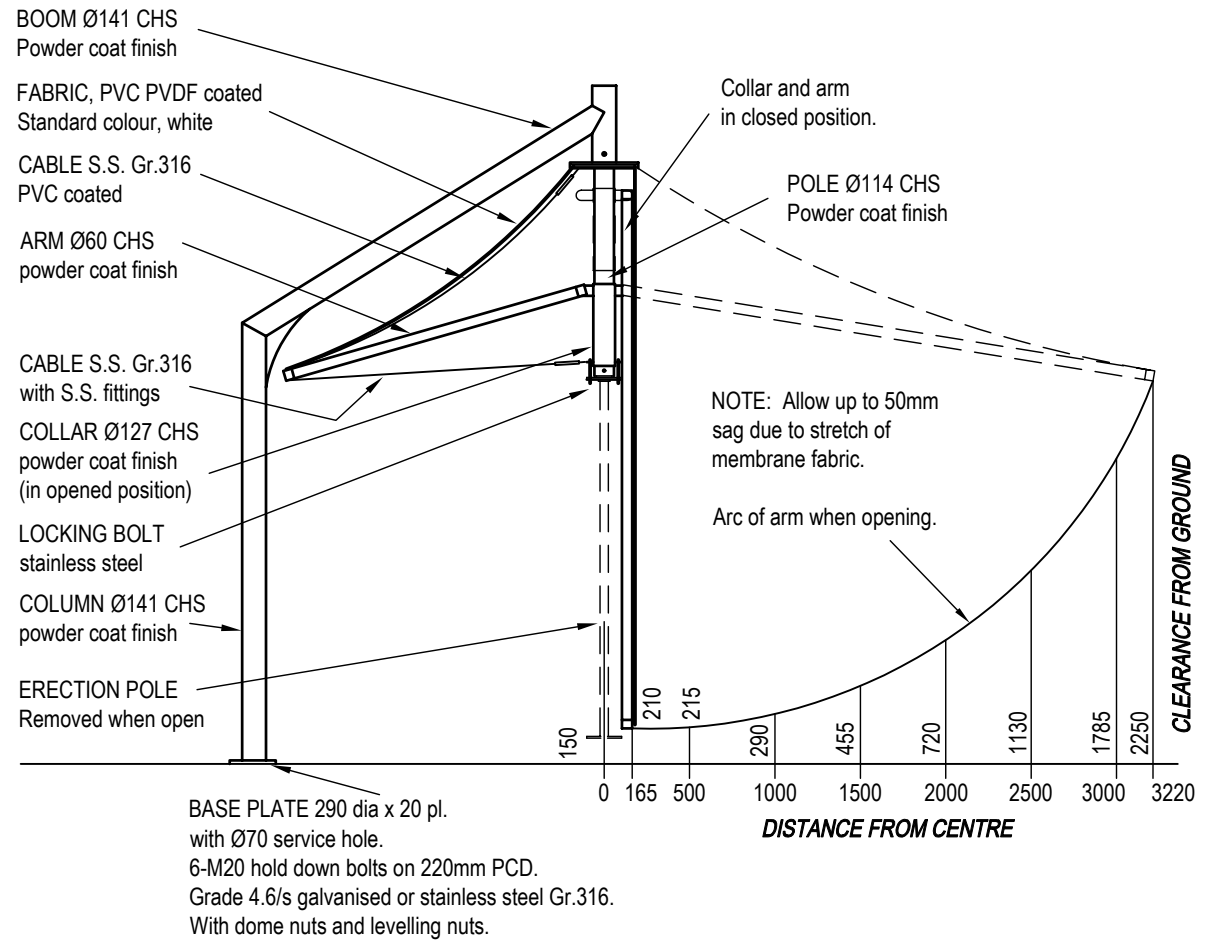
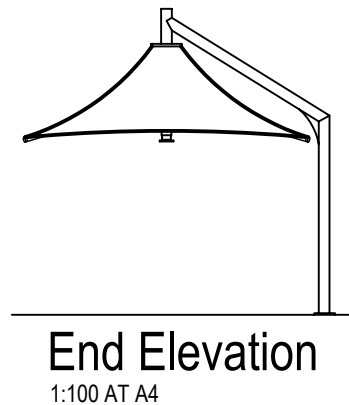
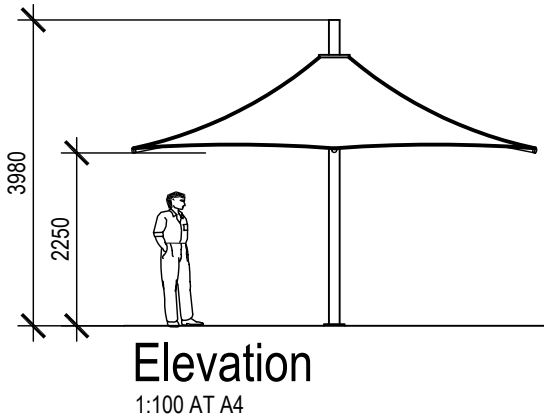
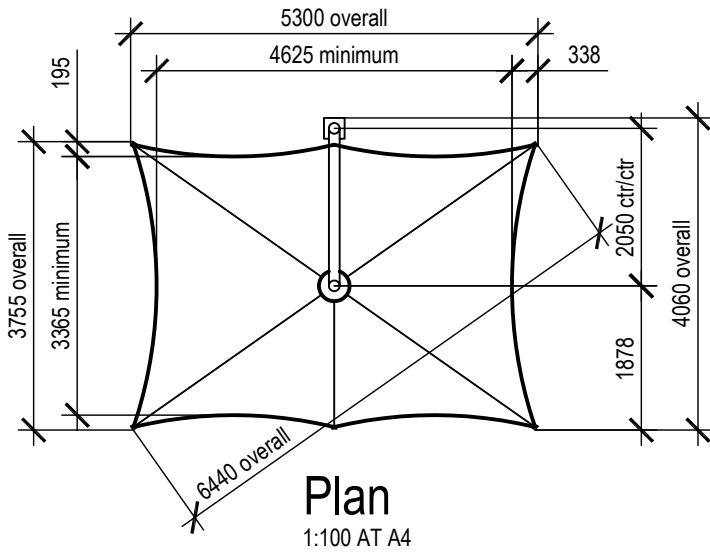


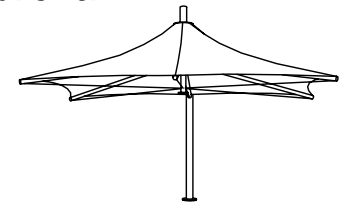
RECTANGULAR 5.3m - SUA-LR53

Wind Rating: 33m/sec (120km/h)
 Rated when umbrella is fully erected.
 Umbrella weight: 115kg

Overall dimensions represent clearance dimensions for the complete umbrella.
 Membrane dimensions differ, depending on variations in tensioning and fabrication.
 Dimensions are in millimetres.



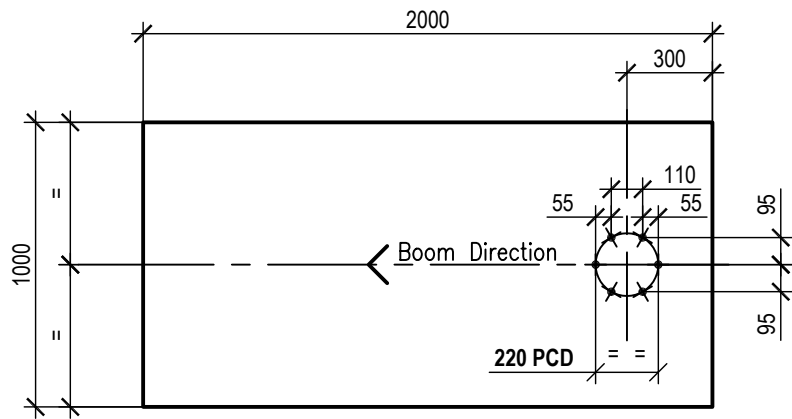
**5.3m Side Support Rectangular Umbrella
 Model:SUA-LR53**



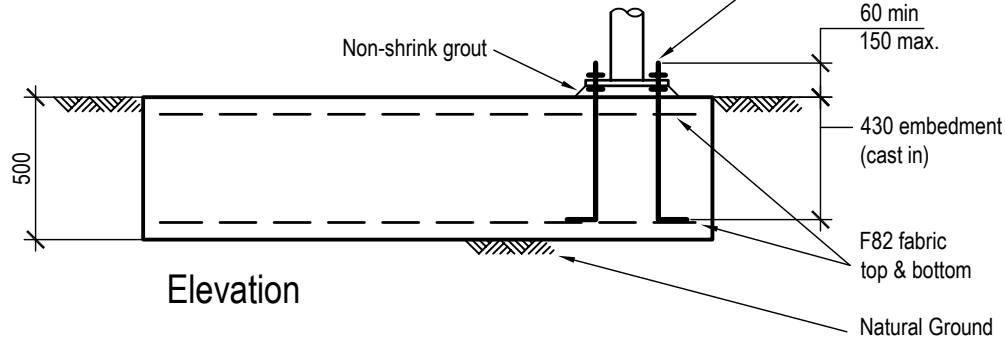
Side Support Series
 Model:SUA-LR53

Engineering Framing

**street
 umbrellas**
 Australia

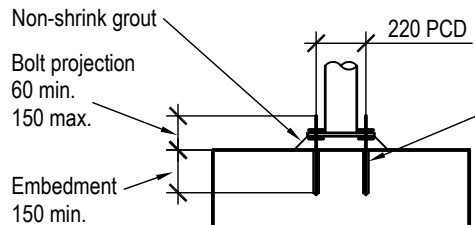


Plan



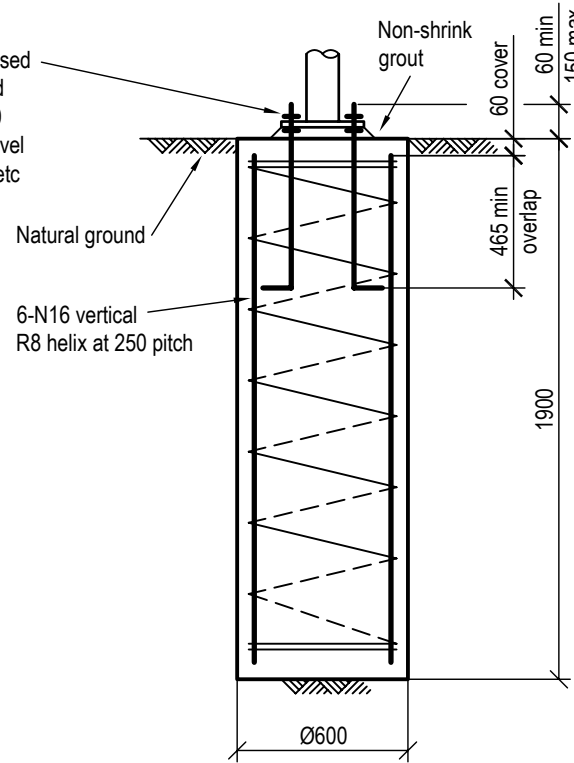
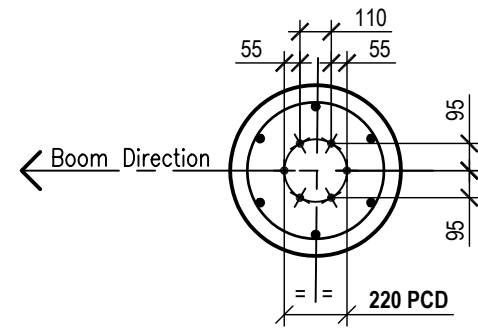
Elevation

SUA-LR53 Pad Footing

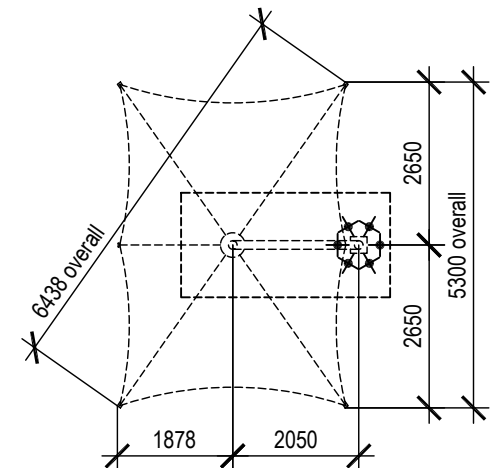


Chemical Anchor Detail

6-M20 H.D. bolts to be threaded rod grade 4.6/s hot dipped galvanised, or stainless steel Gr.316. Supplied with nuts, washers and levelling nuts. Chemical anchors, on 220 PCD, to be **Ramset Reo 502** (or 'Hilti HIT-RE 500'), or engineer approved equivalent, and to be installed in accordance with the manufacturer's instructions.



Elevation
SUA-LR53 Pier Footing



H.D. Bolt Layout Plan
Not to scale

Notes:
Design wind speed 33m/sec (W33)

Assumed soil conditions:
Pad - bearing capacity 100kPa
Pier - cu=50kPa (stiff clay)

Minimum 60mm cover to all reinforcement
Concrete grade to be N25
20mm aggregate size
Slump 65mm

Anchor bolt location tolerances per Australian Standard AS 4100-1990

- 3mm for anchor bolt centres within an anchor bolt group.
- 6mm for adjacent anchor bolt group centres.
- Maximum accumulation of 6mm per 30m not to exceed a total of 25mm.
- 6mm from anchor bolt group centre to column line centre.