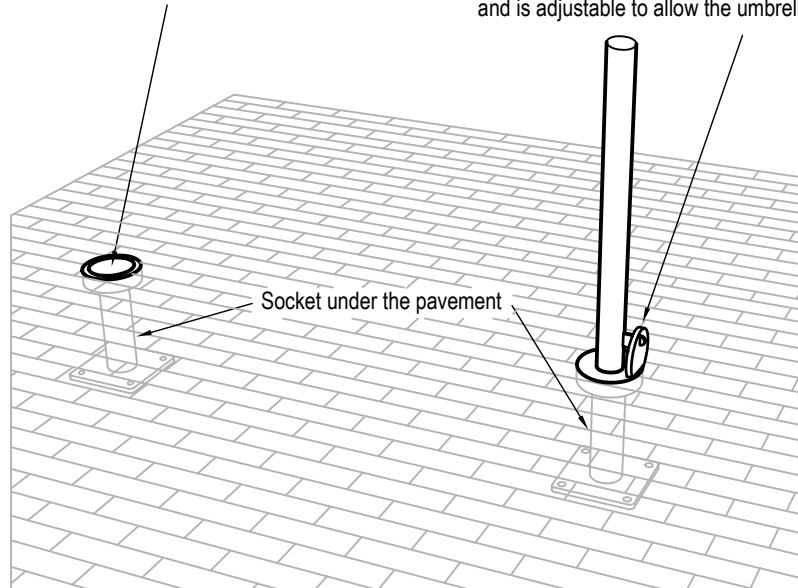


## Umbrella Removed

The pavement socket is installed under the pavement on a footing so that the top of the socket is flush with the pavement.

After removal of the umbrella, the socket cover plate closes flush with the pavement.

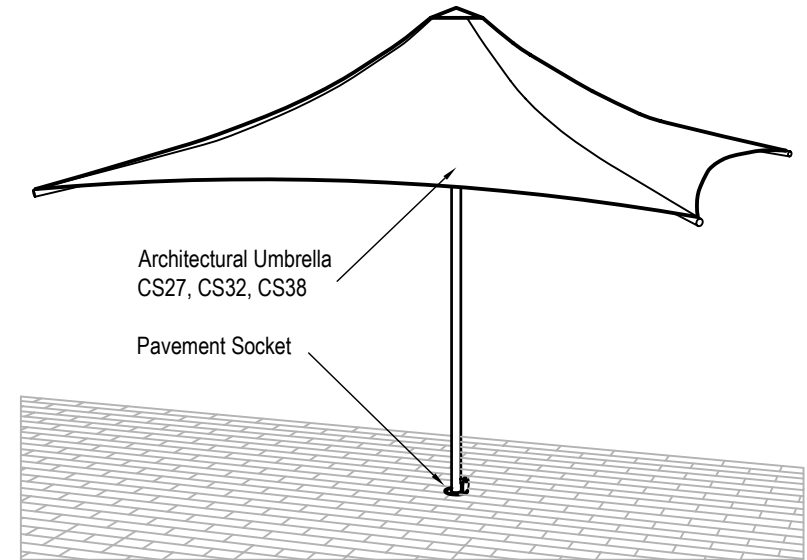


## Umbrella Installed

When the umbrella is installed into the socket the open cover plate is locked onto the umbrella pole cleat with a padlock.

This provides security for the umbrella and locks the umbrella down to achieve the specified wind rating.

The socket is designed to stop the umbrella from spinning and is adjustable to allow the umbrella to be levelled.

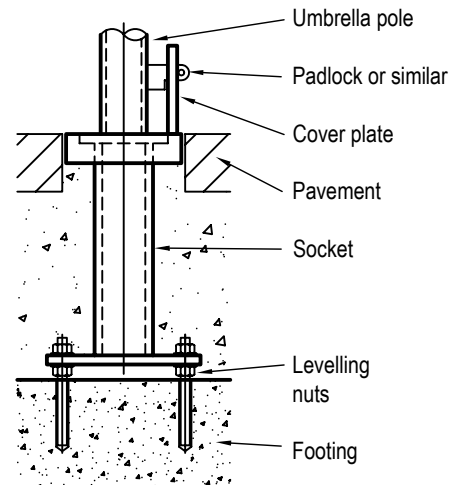


## Typical Pavement Socket Installation

A socket installation allows for the removal of the umbrella.

The models suitable for the socket are the CS27, CS32 and CS38.

The pole of the umbrella can be modified, at the time of ordering, to fit into the socket.



## Typical Detail

Pavement Socket  
Centre support Umbrellas

Installation

street  
umbrellas  
Australia