



SCREENTEX SERIES - EXTERNAL SUNSCREEN BLIND

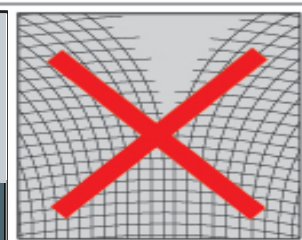
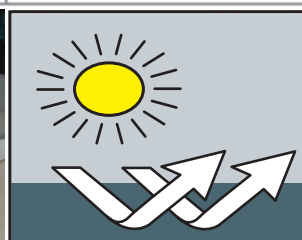
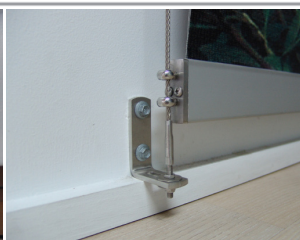
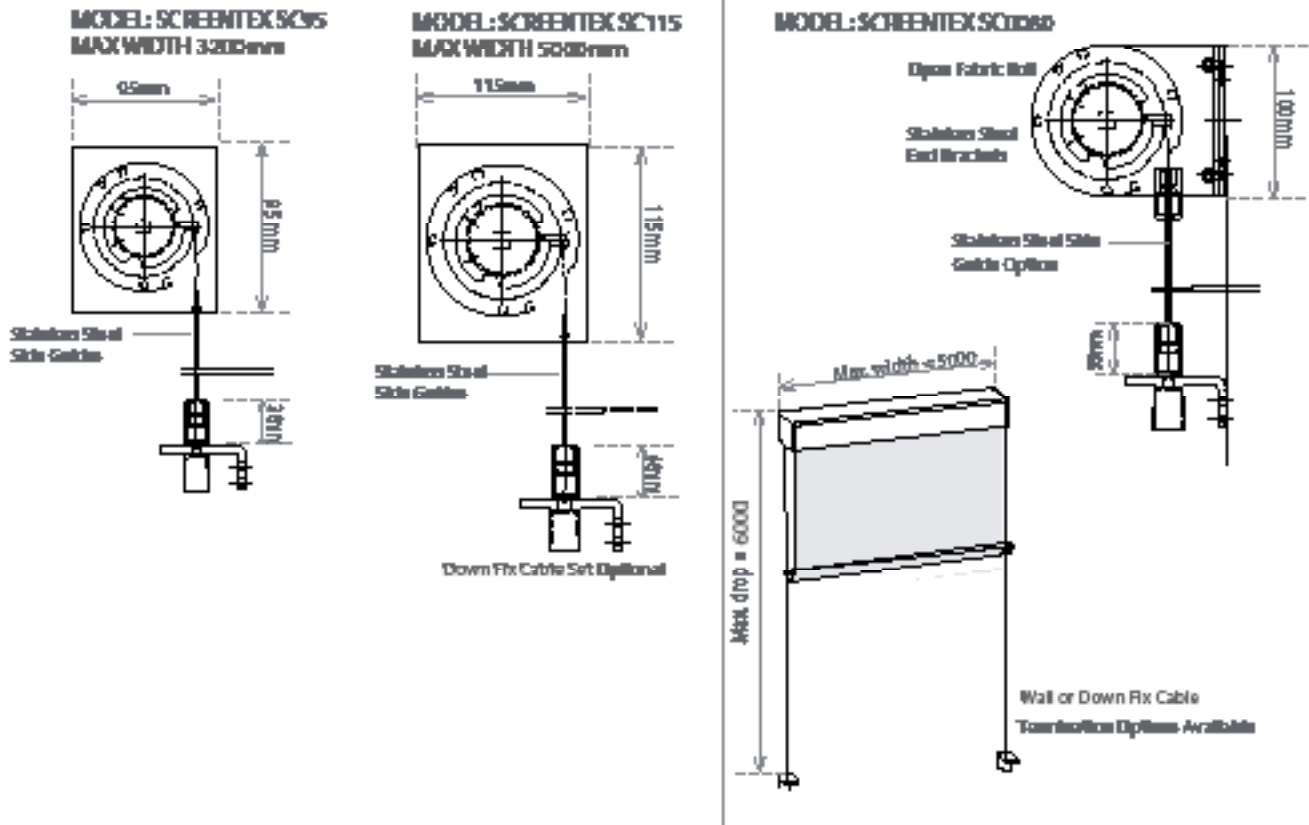
Screeutex Series - External Sunscreen Blind efficiently provides sun protection to window openings & alfresco areas without compromising your outward view.

- Air conditioning requirements can be reduced with savings as much as 40-60% from running costs when installing Screeutex Exterior Blinds to your building.
- Fabric is housed in an architecturally designed headbox that is manufactured from extruded aluminium. Select from clear anodised or Dulux powdercoat finishes.
- Incorporating a heavy-duty extruded aluminium base bar that has a weighted inner pocket to ensure the Screeutex blinds achieve high wind handling capabilities.
- Guided by unobtrusive side guides, manufactured from marine grade stainless steel, with a tensioning system that enables for easy re-tensioning if required.
- Viva Sunscreens architectural textiles offer the best compromise between visibility, light transmission, tensile strength & weather resistant properties.
- Screeutex External Blinds are designed, engineered & custom made in Australia. Our advanced manufacturing techniques & processes deliver high quality products.



SCREENTEX SERIES - EXTERNAL SUNSCREEN BLIND

Please note illustrations are not to scale. All measurements are in millimetres.



SIZES

WIDTH	Max 4500mm	Max 4500mm
PROJECTION	Max 1500mm	Max 1500mm

HEAD BOX

MATERIAL	3 piece powder coated extruded aluminium
DIMENSION	95mm x 95mm or 115mm x 115mm

BASE BAR

MATERIAL	Powder coated extruded aluminium with end caps
SIZE	35mm High x 20mm Wide or 48mm High x 20mm Wide

CONTROL OPTIONS

CRANK OPERATION	5.1 ratio, gear mechanism with detachable handle
ELECTRIC MOTOR	Tubular motor mounted internally within top roller. Aluminium case complete with built-in limit switches. Extensive range of control options available

FIXING METHOD

SC95 & SC115 SQUARE HEADBOX	Top or face fix through headbox
SC080 BRACKET	Top or face fix at each end of system

SIDE GUIDE

MATERIAL	3 or 5mm diameter 316 stainless steel cable with seafast turnbuckle
----------	---

SIDE CHANNEL

MATERIAL	Powder coated extruded aluminium
SIZE	30mm wide x 100mm depth

FABRIC OPTIONS

SUNSCREEN MESH	High tenacity polyester core yarn sunscreen - Oxygen S5 (9% openness) S15 (15% openness) ranges
----------------	---

COLOUR OPTIONS

OR ANY DULUX POWDER COAT COLOUR **Natural Anodised** For all custom colours, select from the Dulux Powdercoat Chart