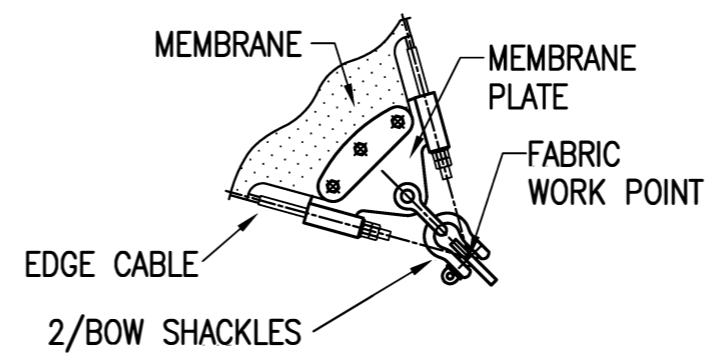
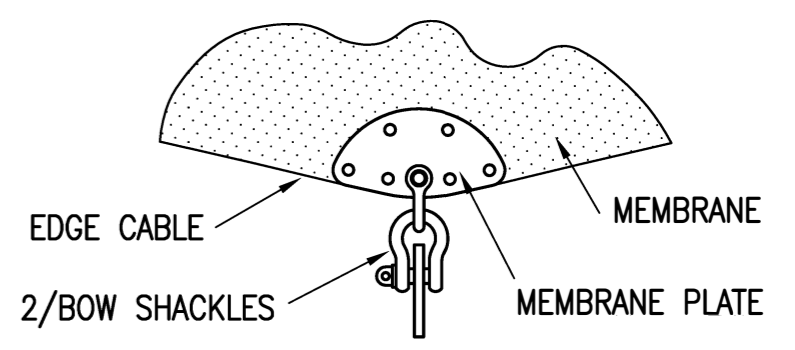


PLAN
1:100 AT A3

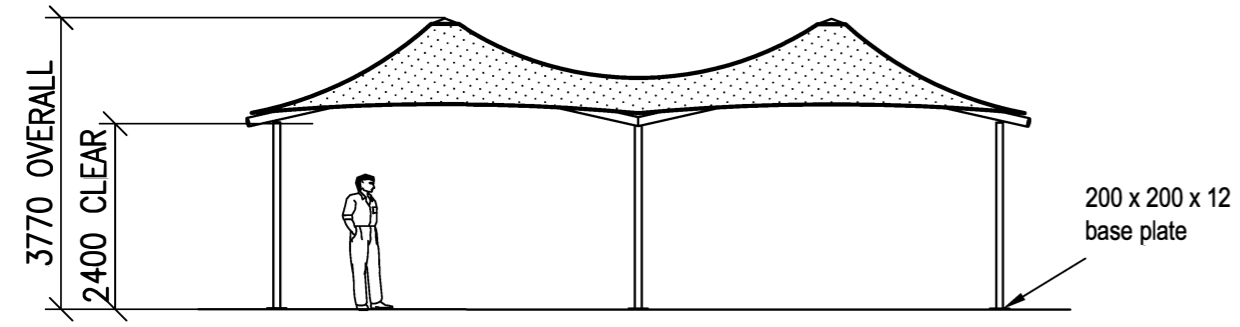
* - FABRIC WORK POINT



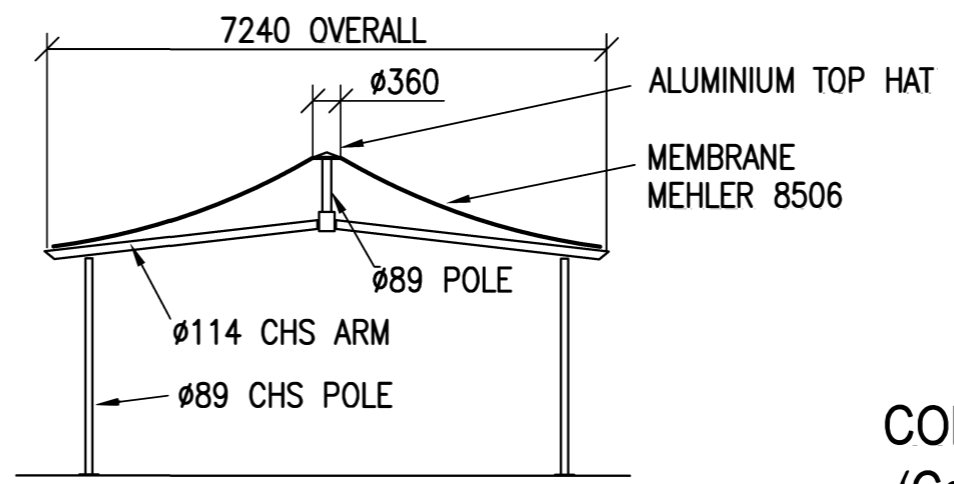
DETAIL 1
NOT TO SCALE



DETAIL 2
NOT TO SCALE



ELEVATION
1:100 AT A3



SECTION A-A
1:100 AT A3

CORNER SERIES - 5m x10m (Contour Edge)

- Permissible Design Wind Speed W33 (33m/sec)
- Overall dimensions represent clearance dimensions for the complete structure.
 - A minimum of 100mm clearance to any buildings, poles etc. is recommended.
 - Dimensions are in millimetres.

SAMPLE USE ONLY MUTLIPE STRUCTURE SUA-MS50 X 10M (CONTOUR EDGE)

ANCHOR BOLT LOCATION TOLERANCES. PER AS 4100-1990	- 6mm FROM ANCHOR BOLT GROUP CENTRE TO COLUMN LINE CENTRE.
- 3mm FOR ANCHOR BOLT CENTRES WITHIN AN ANCHOR BOLT GROUP.	
- 6mm FOR ADJACENT ANCHOR BOLT GROUP CENTRES.	
- MAXIMUM ACCUMULATION OF 6mm PER 30m NOT TO EXCEED A TOTAL OF 25mm.	
TOLERANCES - U.N.O.	
LESS THAN 50mm	±0.5mm
50mm TO 2000mm	±1.0mm
GREATER THAN 2000mm	±2.0mm
ALL ANGLES TO BE	±0.5°

PROJECT:	
TITLE:	FRAMING PLAN
REVISIONS	A ISSUE FOR APPROVAL 06.09.05



DRAWN :	CHECKED:
SCALE : 1:100 AT A3	DATE : D
DRG. No. PS50-	REV