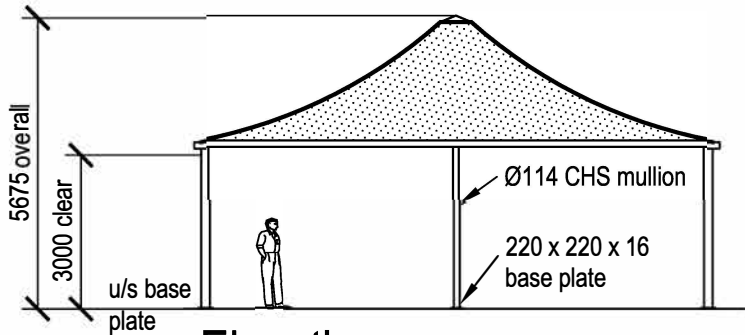


Plan

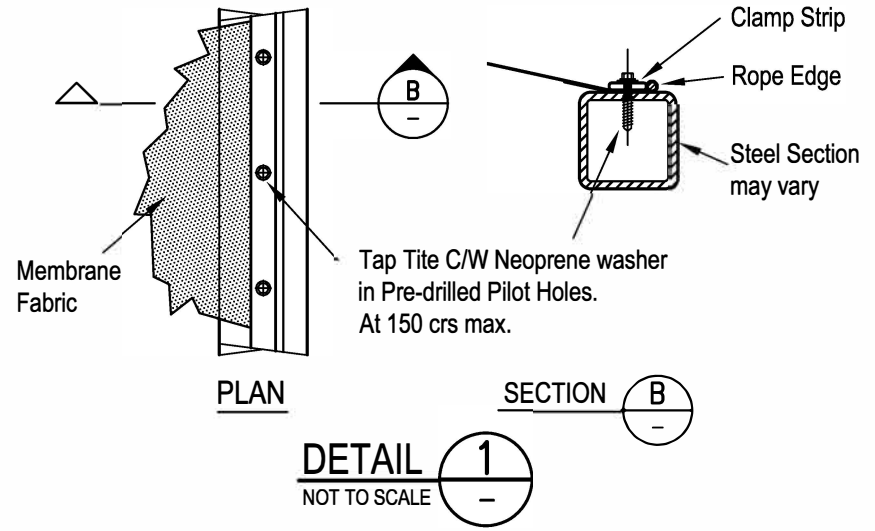


Elevation

10m Square Corner Support

Model: SUA-P100 (Linear Edge)

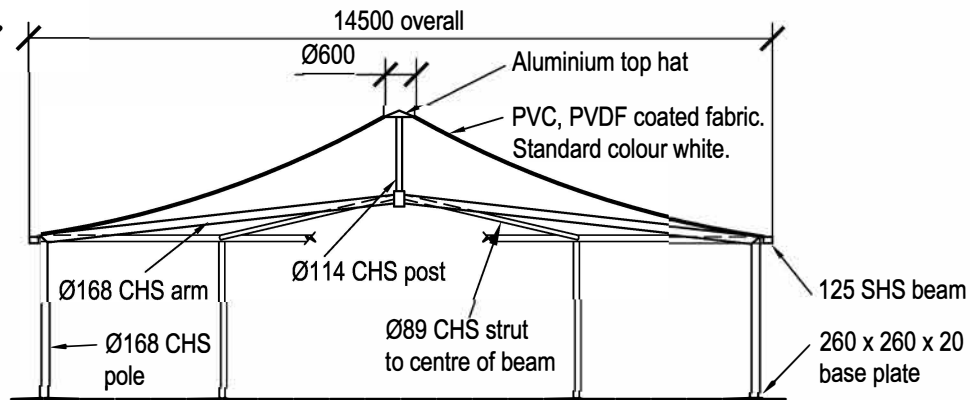
Permissible Design Wind Speed W33 (33m/sec)



PLAN

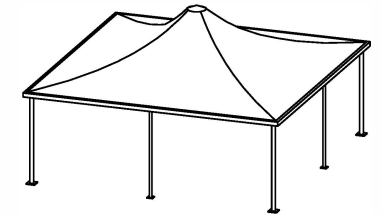
SECTION B

DETAIL 1
NOT TO SCALE



Section A-A

- Overall dimensions represent clearance dimensions for the complete structure.
- A minimum of 100mm clearance to any buildings, poles etc. is recommended.
- Dimensions are in millimetres.



CORNER SUPPORT CONICAL
MODULAR UMBRELLA

MODEL: SAU-PS100L (Linear)

street
umbrellas
Australia