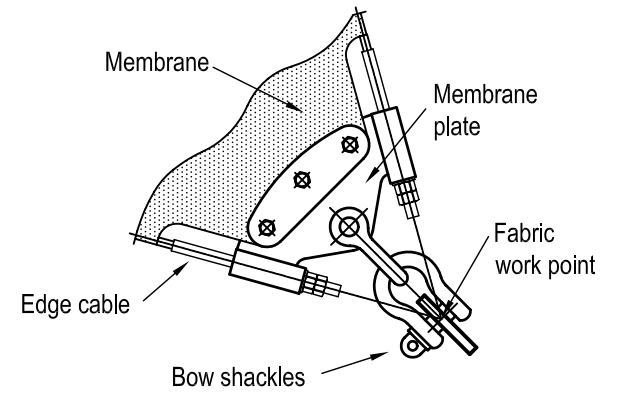


Plan

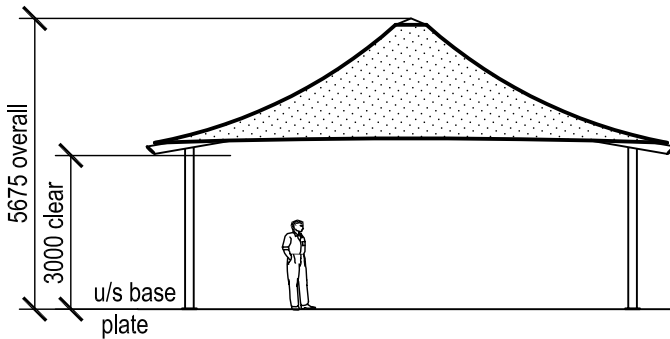
PAVILION SERIES - 10m Square Model PS100 (Contour Edge)

Permissible Design Wind Speed W33 (33m/sec)

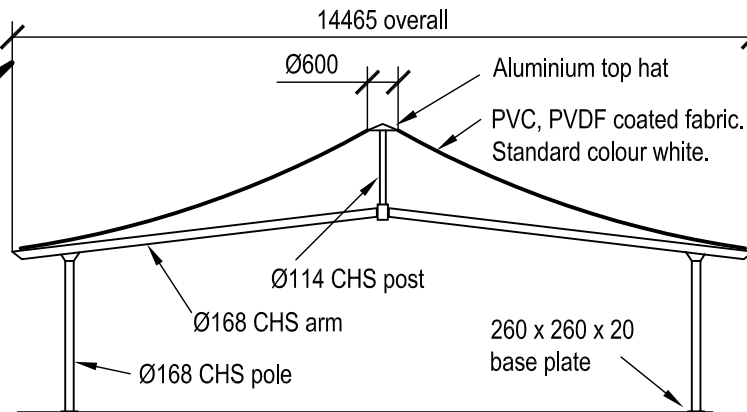
- Overall dimensions represent clearance dimensions for the complete structure.
- A minimum of 100mm clearance to any buildings, poles etc. is recommended.
- Dimensions are in millimetres.



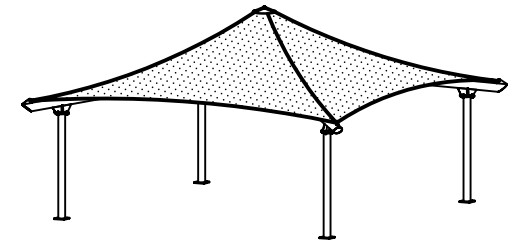
DETAIL 1
Not to scale



Elevation



Section A-A



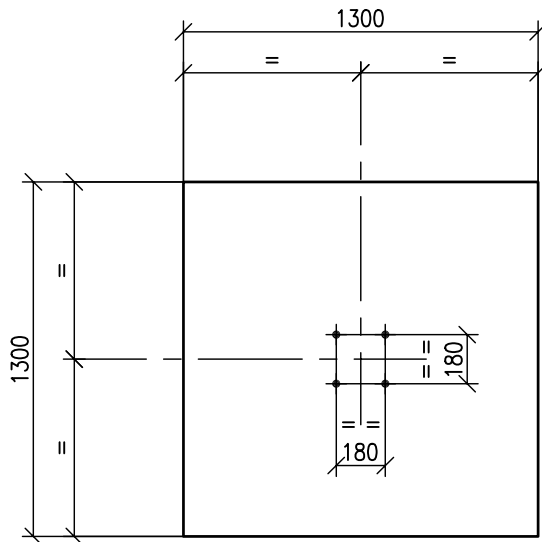
Pavilion Model PS100 Contour Edge
Modular Systems Streetscape

Mak//ax
architectural membrane
innovative solutions

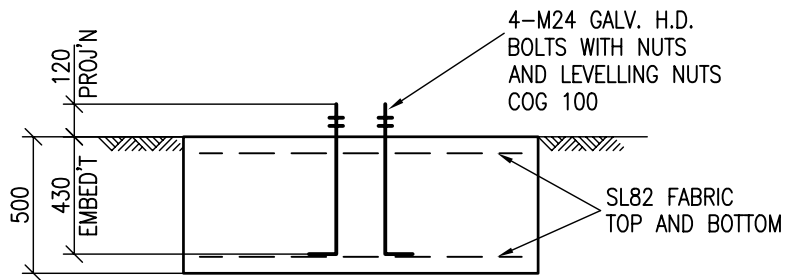
Engineering Framing

PS100-1101-12.04

www.taiyomc.com
info@taiyomc.com



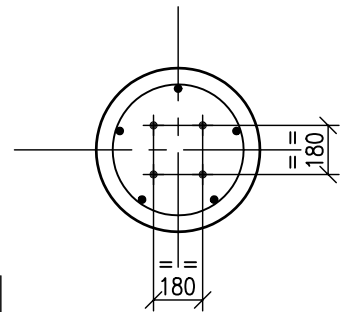
PLAN



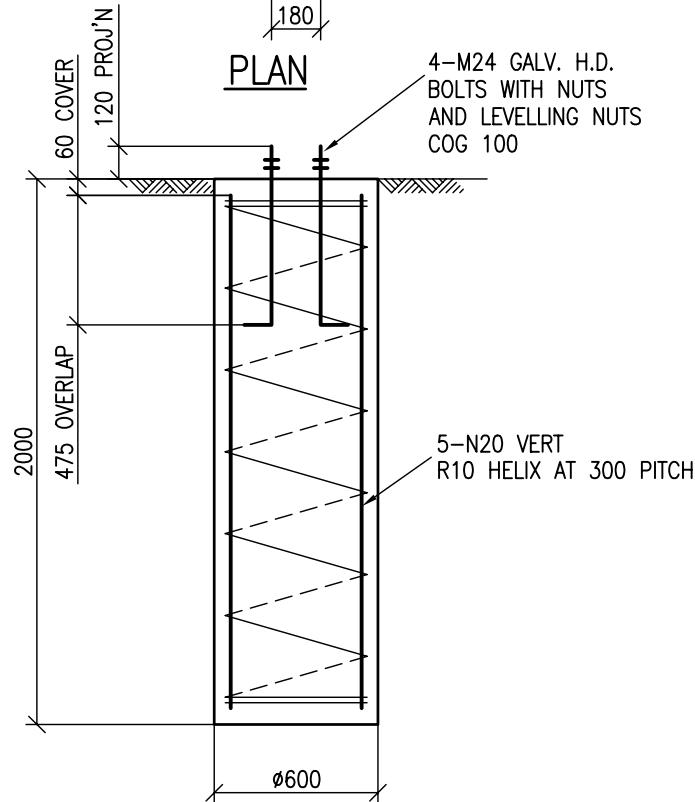
ELEVATION

PS100 - Pad Footing

1:20 AT A3



PLAN



ELEVATION

PS100 - Pier Footing

1:20 AT A3

PERMISSIBLE DESIGN WIND SPEED : W33 (33m/s)

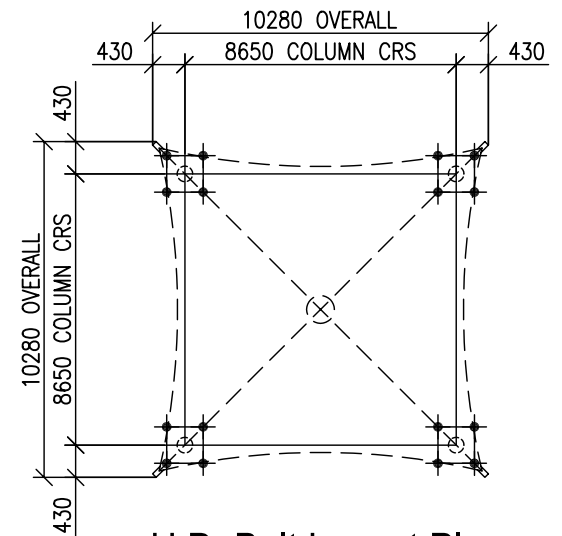
NOTES:

ASSUMED SOIL CONDITIONS:
 PAD - BEARING CAPACITY 100kPa
 PIER - $C_u=50kPa$ (STIFF CLAY)

MINIMUM 60mm COVER TO ALL REINFORCEMENT
 CONCRETE GRADE TO BE N25
 20mm AGGREGATE SIZE
 SLUMP 65mm

ANCHOR BOLT LOCATION TOLERANCES.
 PER AS 4100-1990

- 3mm FOR ANCHOR BOLT CENTRES WITHIN AN ANCHOR BOLT GROUP.
- 6mm FOR ADJACENT ANCHOR BOLT GROUP CENTRES.
- MAXIMUM ACCUMULATION OF 6mm PER 30m NOT TO EXCEED A TOTAL OF 25mm.
- 6mm FROM ANCHOR BOLT GROUP CENTRE TO COLUMN LINE CENTRE.



H.D. Bolt Layout Plan

NOT TO SCALE

Pavilion Model PS100 Contour Edge Modular Systems	Streetscape	 architectural membrane innovative solutions www.taiyomc.com info@taiyomc.com
	Footing Details	

Dimensions are in millimetres. Figured dimensions take precedence. Do not scale.
 © Taiyo Membrane Corporation. This drawing must not be copied, retained or used without permission