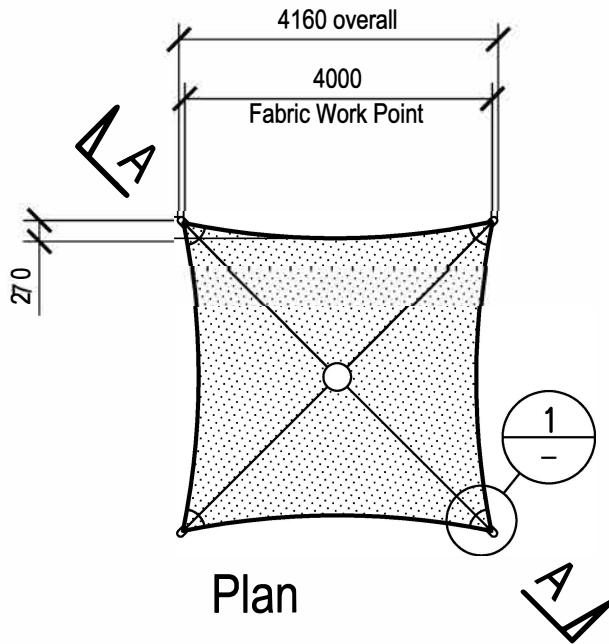


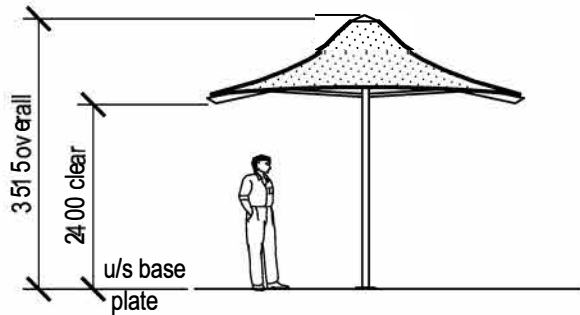
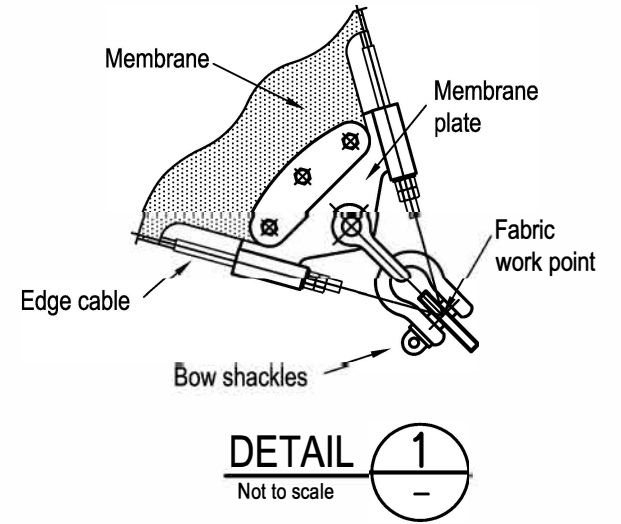
# CENTRE SUPPORT - CONICAL

## Model: SUA-MS40 (Contour Edge)

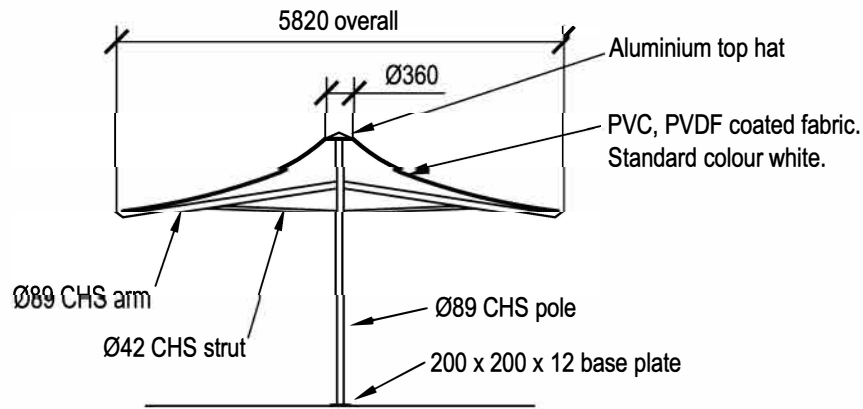


Plan

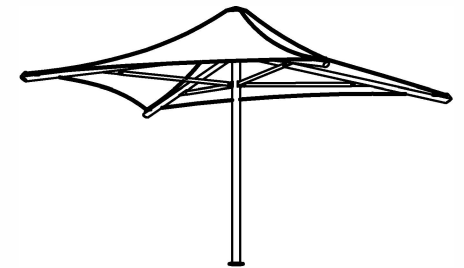
- Overall dimensions represent clearance dimensions for the complete structure.
- A minimum of 100mm clearance to any buildings, poles etc. is recommended.
- Dimensions are in millimetres.



Elevation



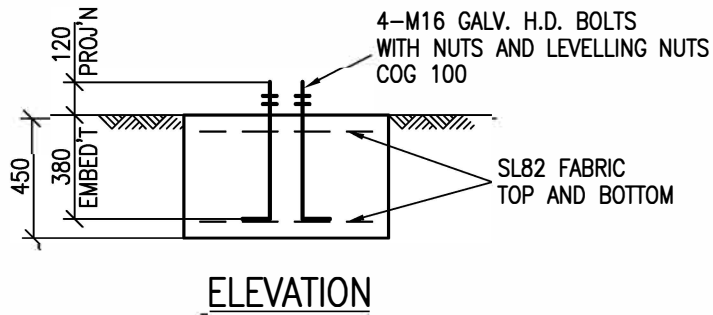
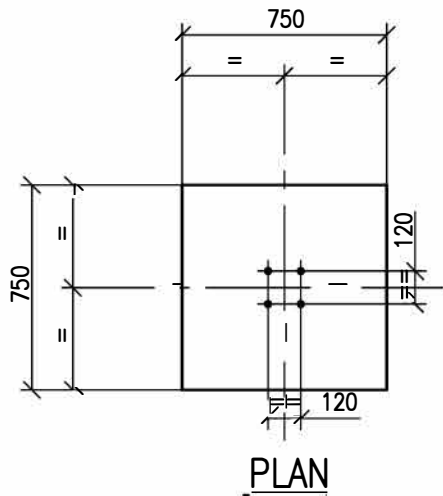
Section A-A



CENTRE SUPPORT - CONICAL  
MODULAR UMBRELLA RANGE

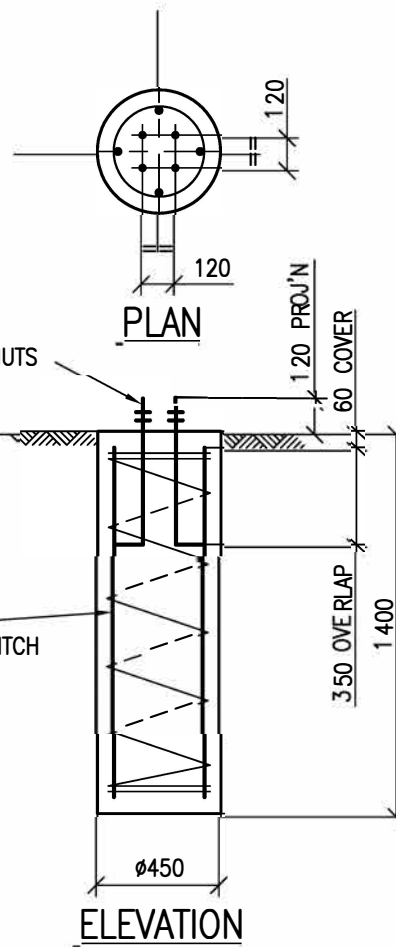
Model: SUA-MS40 (Contour Edge)

street  
umbrellas  
Australia



### SUA-MS40 Pad Footing

1:20 AT A3



### SUA-MS40 Pier Footing

1:20 AT A3

PERMISSIBLE DESIGN WIND SPEED : W33 (33m/s)

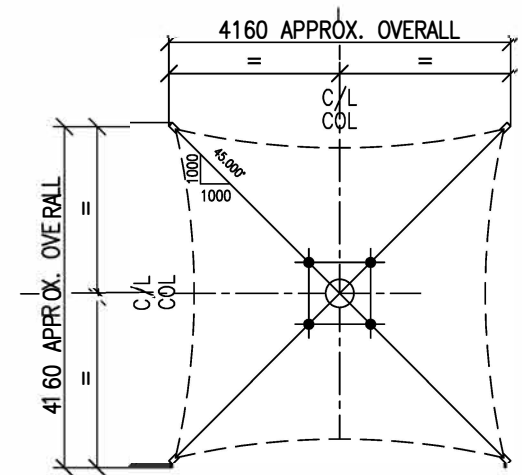
#### NOTES:

ASSUMED SOIL CONDITIONS:  
 PAD - BEARING CAPACITY 100kPa  
 PIER -  $C_u=50kPa$  (STIFF CLAY)

MINIMUM 60mm COVER TO ALL REINFORCEMENT  
 CONCRETE GRADE TO BE N25  
 20mm AGGREGATE SIZE  
 SLUMP 65mm

ANCHOR BOLT LOCATION TOLERANCES.  
 PER AS 4100-1990

- 3mm FOR ANCHOR BOLT CENTRES WITHIN AN ANCHOR BOLT GROUP.
- 6mm FOR ADJACENT ANCHOR BOLT GROUP CENTRES.
- MAXIMUM ACCUMULATION OF 6mm PER 30m NOT TO EXCEED A TOTAL OF 25mm.
- 6mm FROM ANCHOR BOLT GROUP CENTRE TO COLUMN LINE CENTRE.



### H.D. Bolt Layout Plan

NOT TO SCALE

CENTRE SUPPORT - CONICAL  
 MODULAR UMBRELLA RANGE

Model: SUA-MS50 (Contour Edge)

street  
 umbrellas  
 Australia