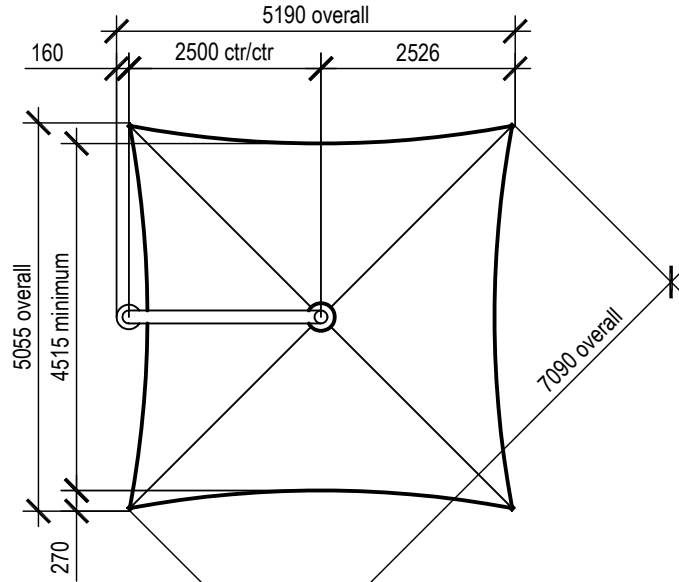


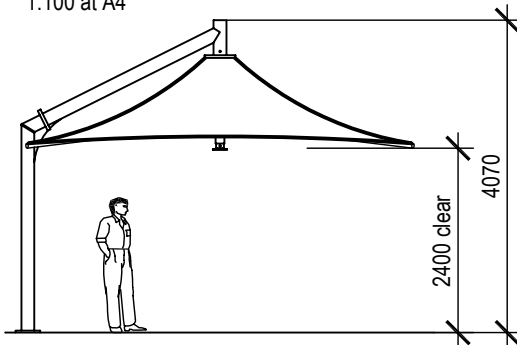
SQUARE 5m - SUA-LS50
 Wind Rating: 33m/sec (120km/h)
 Rated when umbrella is fully erected.
 Umbrella weight: 145 kg

Overall dimensions represent clearance dimensions for the complete umbrella.
 Membrane dimensions differ, depending on variations in tensioning and fabrication.
 Dimensions are in millimetres.



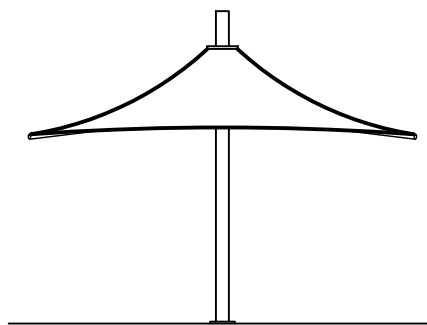
Plan

1:100 at A4



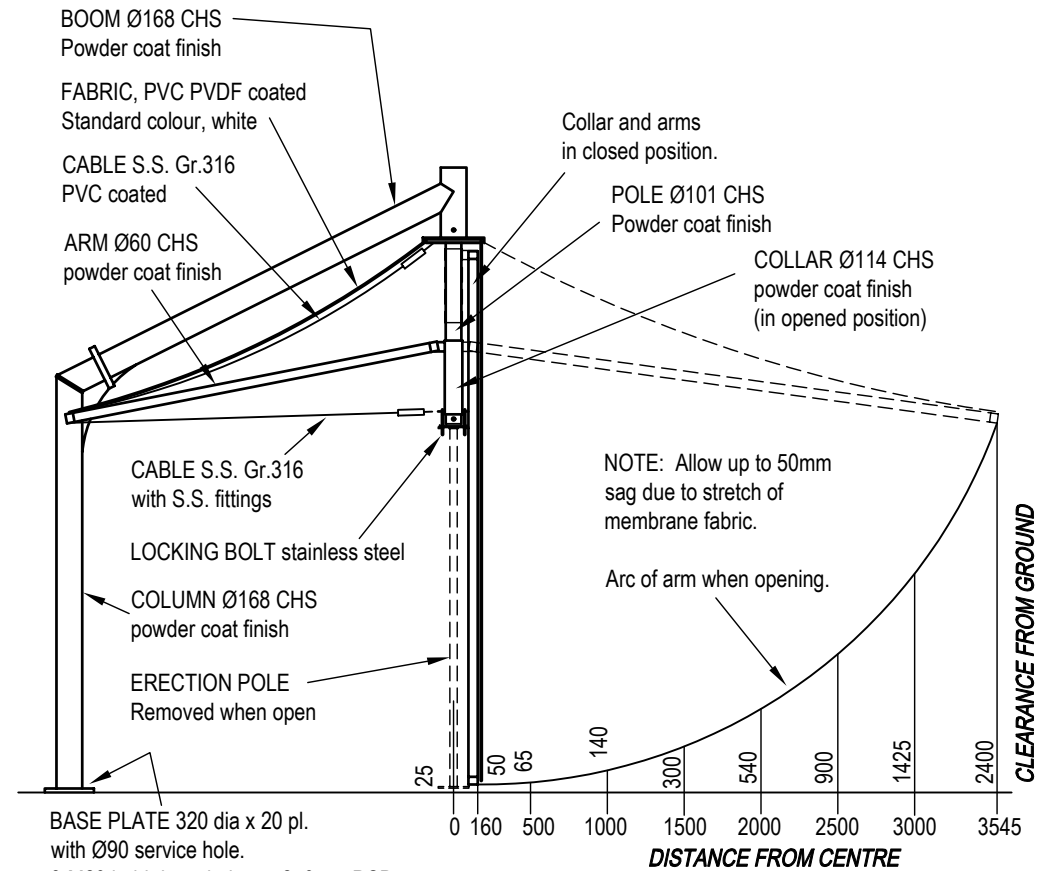
Side Elevation

1:100 at A4



Elevation

1:100 at A4



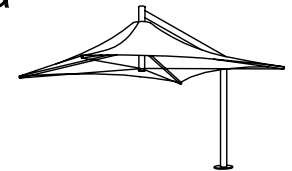
OPENED POSITION

View square to boom

CLOSED POSITION

View square to arm

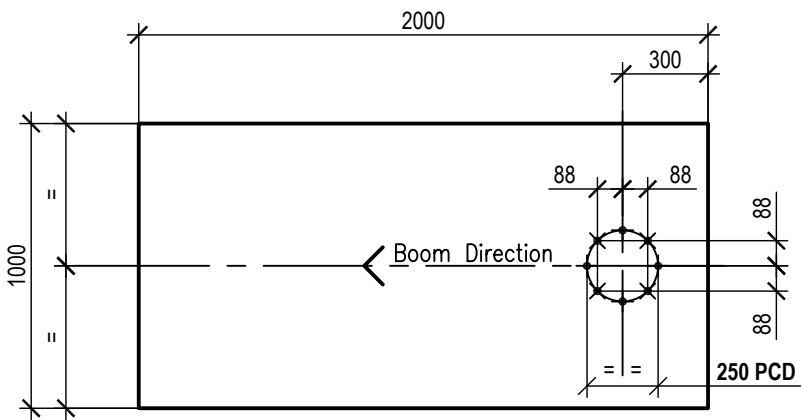
5m Side Support Square Umbrella Leva - Model LS50



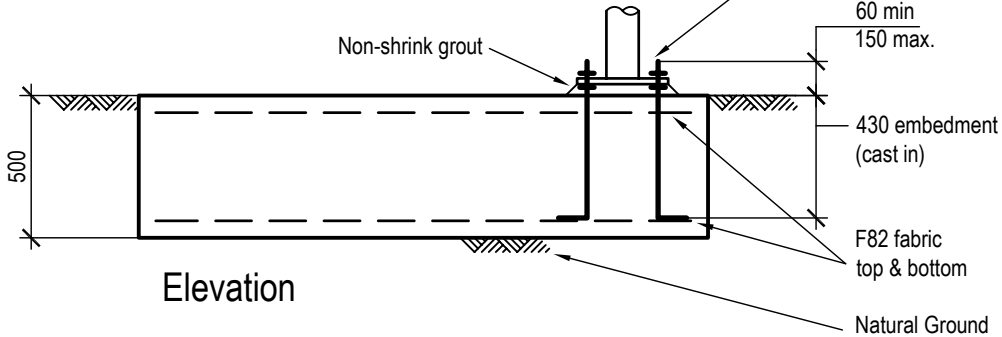
Side Support Series
 Model:SUA-LS50

Engineering Framing

**street
 umbrellas**
 Australia

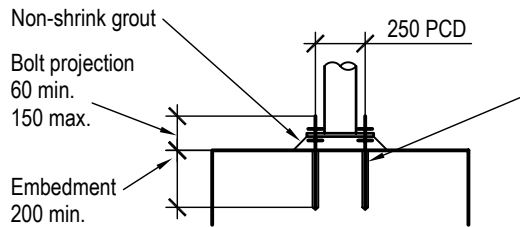


Plan



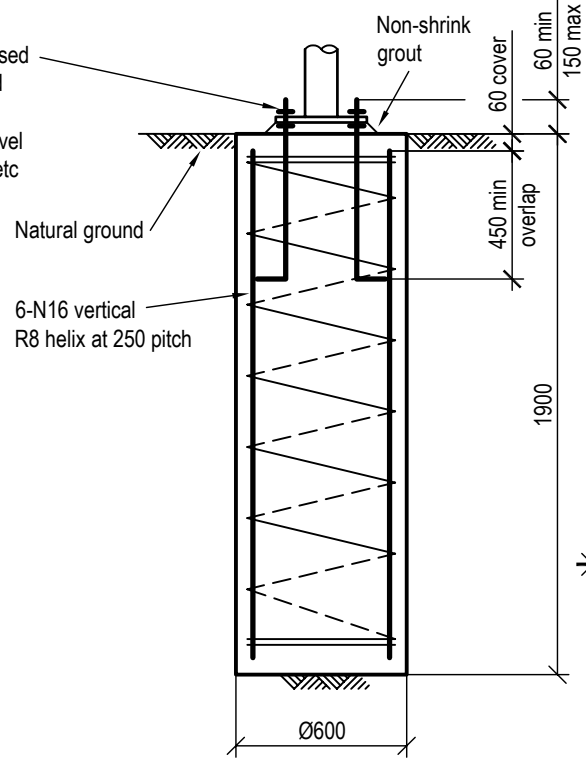
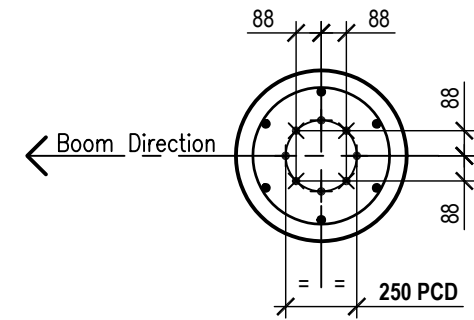
Elevation

SUA-LS50 Pad Footing



Chemical Anchor Detail

8-M20 H.D. bolts to be threaded rod grade 4.6/s hot dipped galvanised, or stainless steel Gr.316. Supplied with nuts, washers and levelling nuts. Chemical anchors, on 250 PCD, to be **Ramset Reo 502 (or 'Hilti HIT-RE 500')**, or engineer approved equivalent, and to be installed in accordance with the manufacturer's instructions.



Elevation

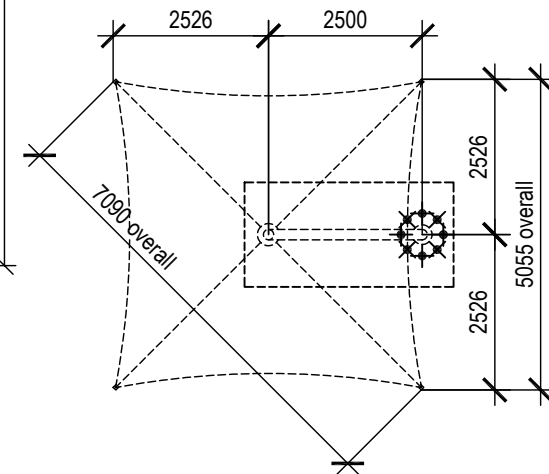
SUA-LS50 Pier Footing

Notes:
Design wind speed 33m/sec (W33)

Assumed soil conditions:
Pad - bearing capacity 100kPa
Pier - $c_u=50\text{kPa}$ (stiff clay)

Minimum 60mm cover to all reinforcement
Concrete grade to be N25
20mm aggregate size
Slump 65mm

- Anchor bolt location tolerances per Australian Standard AS 4100-1990**
- 3mm for anchor bolt centres within an anchor bolt group.
 - 6mm for adjacent anchor bolt group centres.
 - Maximum accumulation of 6mm per 30m not to exceed a total of 25mm.
 - 6mm from anchor bolt group centre to column line centre.



H.D. Bolt Layout Plan
Not to scale