

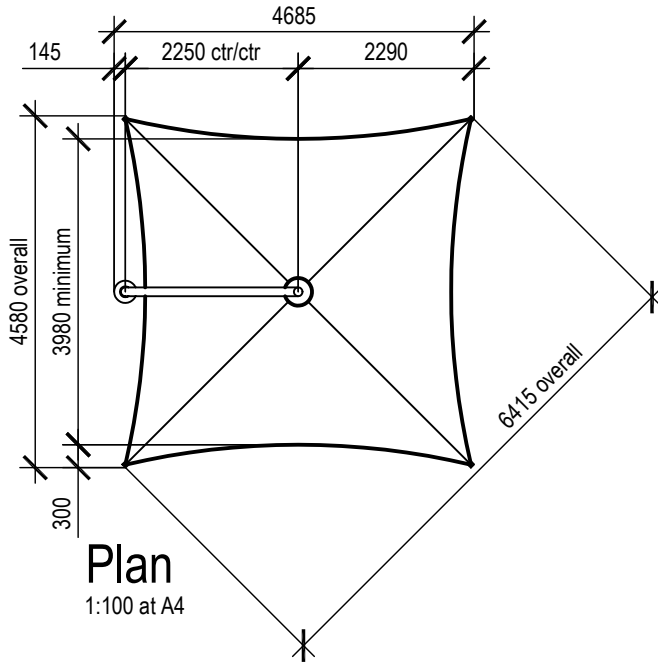
SQUARE 4.5m - SUA-LS45

Wind Rating: 33m/sec (120km/h)

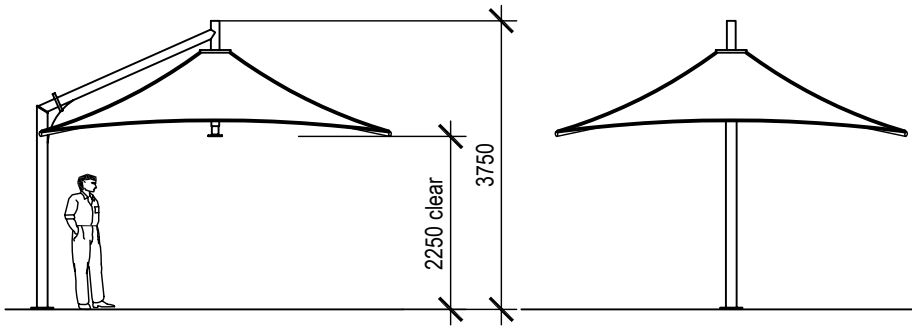
Rated when umbrella is fully erected.

Umbrella weight: 100 kg

Overall dimensions represent clearance dimensions for the complete umbrella.
Membrane dimensions differ, depending on variations in tensioning and fabrication.

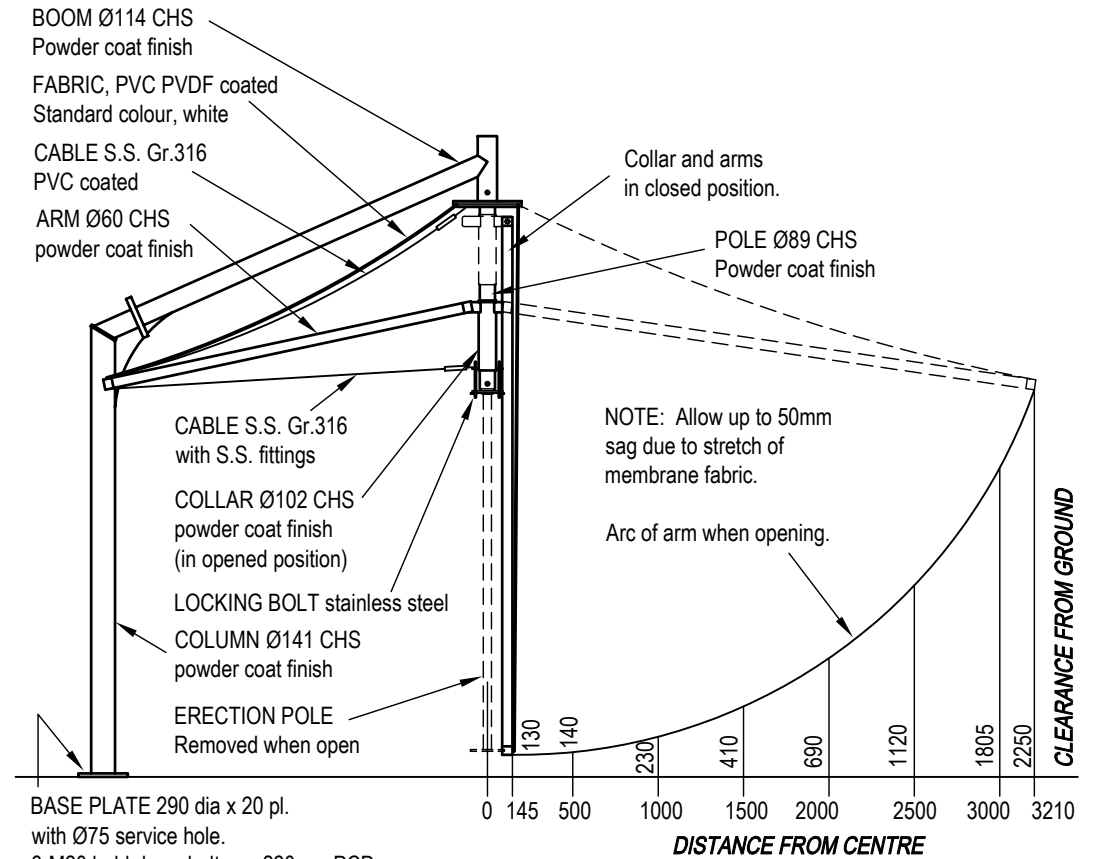


Plan
1:100 at A4



Side Elevation
1:100 at A4

Elevation
1:100 at A4



BASE PLATE 290 dia x 20 pl.
with Ø75 service hole.
6-M20 hold down bolts on 220mm PCD.
Grade 4.6/s galvanised or stainless steel Gr.316.
With dome nuts and levelling nuts.

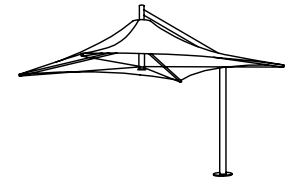
OPENED POSITION

View square to boom

CLOSED POSITION

View square to arm

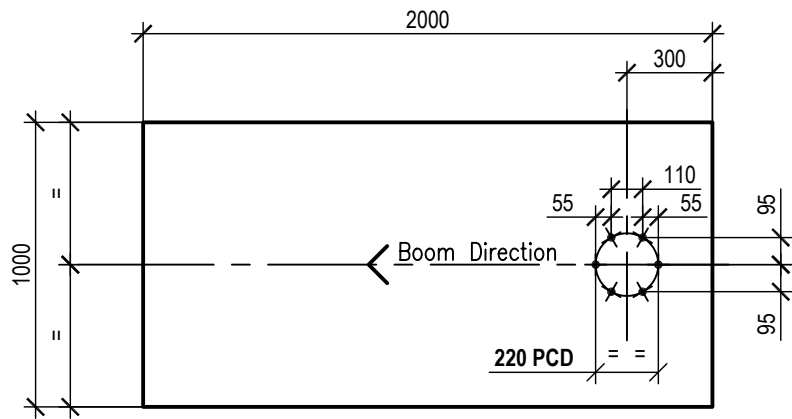
**4.5m Side Support Square Umbrella
Model:SUA-LS45**



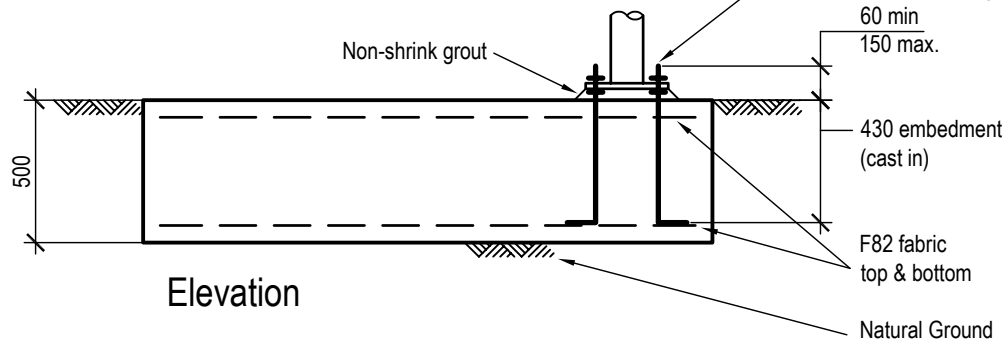
Side Support Series
Model:SUA-LS45

Engineering Framing

**street
umbrellas**
Australia

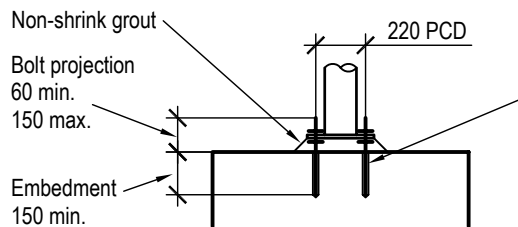


Plan



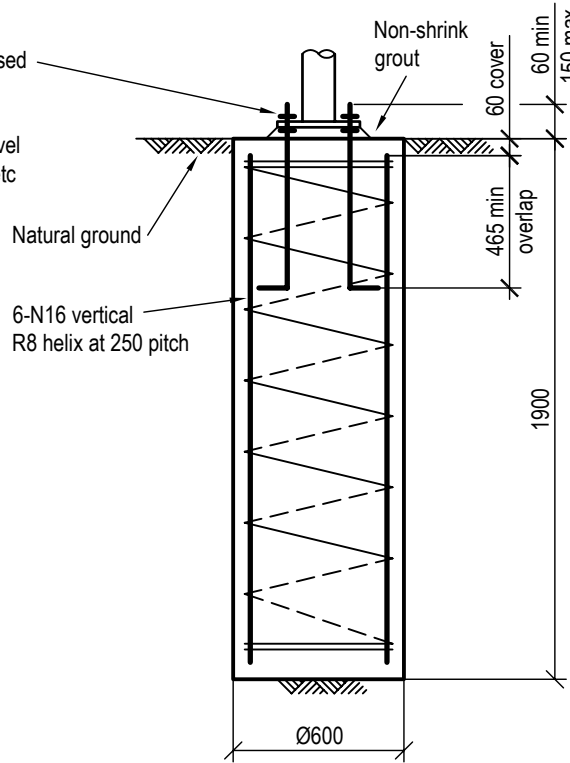
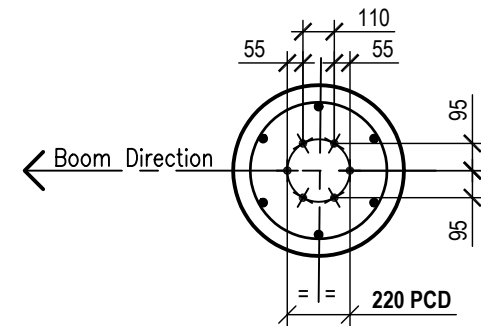
Elevation

SUA-LS45 Pad Footing



Chemical Anchor Detail

6-M20 H.D. bolts to be threaded rod grade 4.6/s hot dipped galvanised, or stainless steel Gr.316. Supplied with nuts, washers and levelling nuts. Chemical anchors, on 220 PCD, to be **Ramset Reo 502 (or 'Hilti HIT-RE 500')**, or engineer approved equivalent, and to be installed in accordance with the manufacturer's instructions.



Elevation

SUA-LS45 Pier Footing

Notes:

Design wind speed 33m/sec (W33)

Assumed soil conditions:

Pad - bearing capacity 100kPa

Pier - $c_u=50\text{kPa}$ (stiff clay)

Minimum 60mm cover to all reinforcement

Concrete grade to be N25

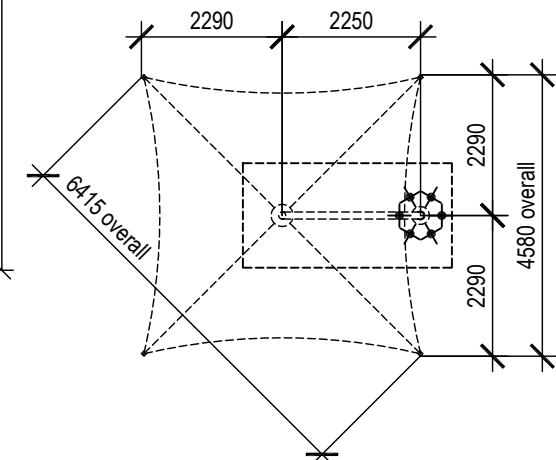
20mm aggregate size

Slump 65mm

Anchor bolt location tolerances per

Australian Standard AS 4100-1990

- 3mm for anchor bolt centres within an anchor bolt group.
- 6mm for adjacent anchor bolt group centres.
- Maximum accumulation of 6mm per 30m not to exceed a total of 25mm.
- 6mm from anchor bolt group centre to column line centre.



H.D. Bolt Layout Plan

Not to scale

Side Support Series

Model: SUA-LS45

Footings Detail

street
umbrellas
Australia