

SQUARE 4m - SUA-LS40

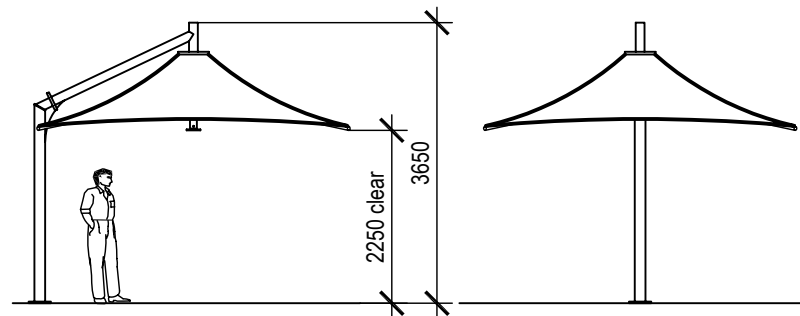
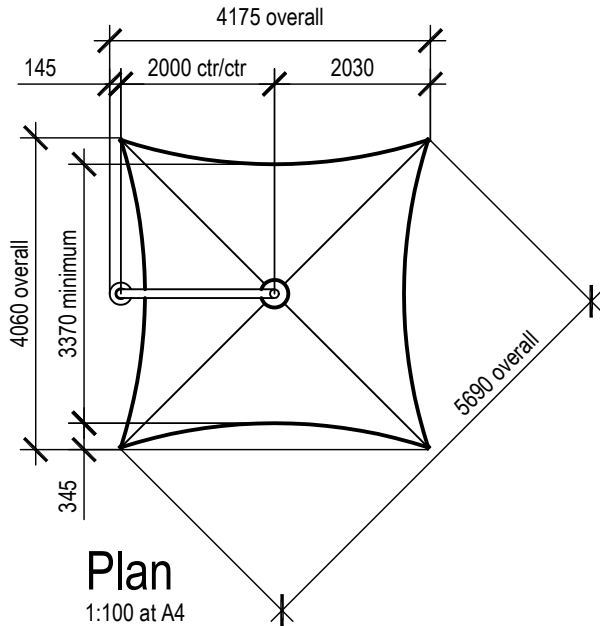
Wind Rating: 33m/sec (120km/h)

Rated when umbrella is fully erected.

Umbrella weight: 96kg

Boom weight: 112kg

Overall dimensions represent clearance dimensions for the complete umbrella.
Membrane dimensions differ, depending on variations in tensioning and fabrication.
Dimensions are in millimetres.

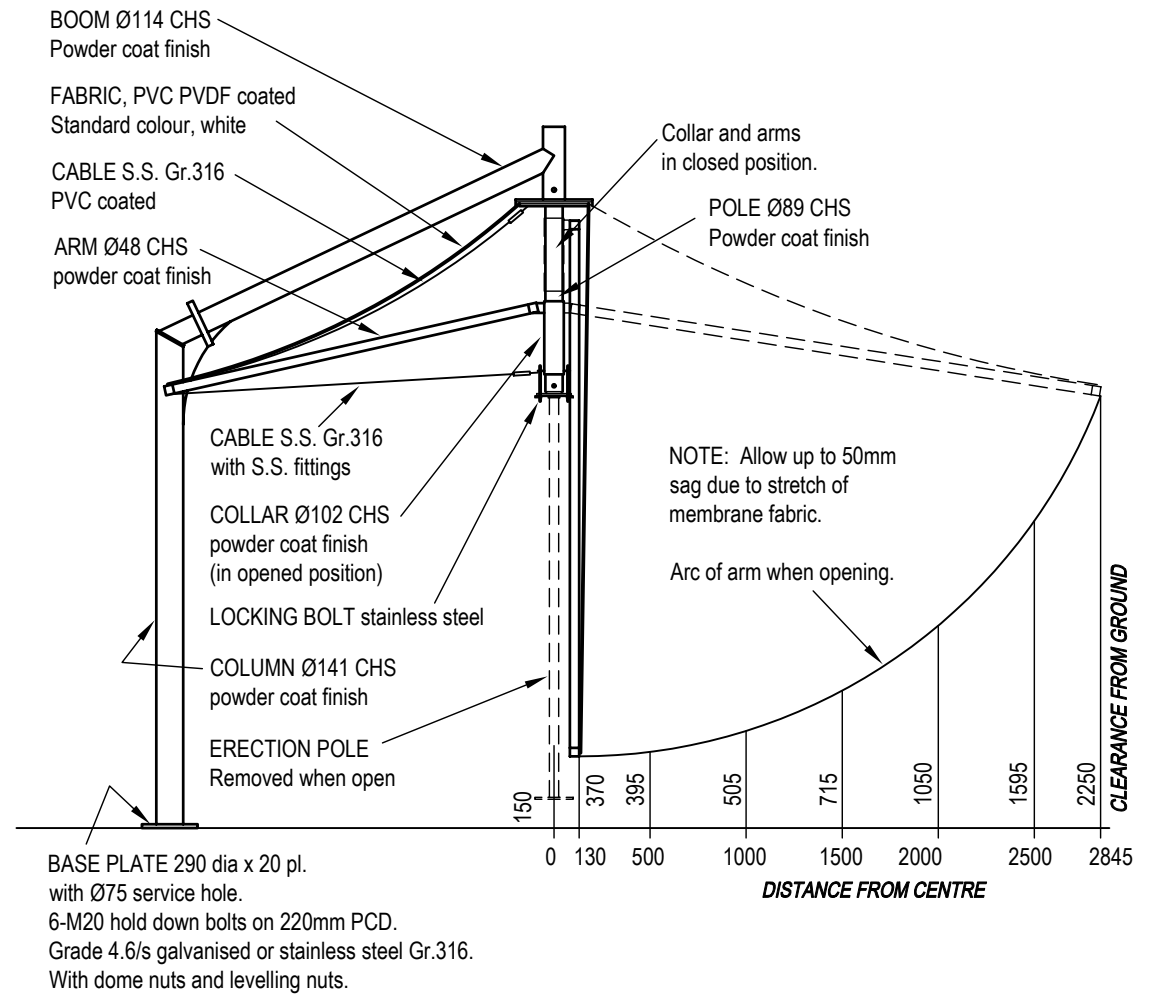


Side Elevation

1:100 at A4

Elevation

1:100 at A4



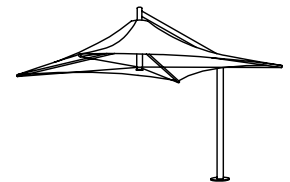
OPENED POSITION

View square to boom

CLOSED POSITION

View square to arm

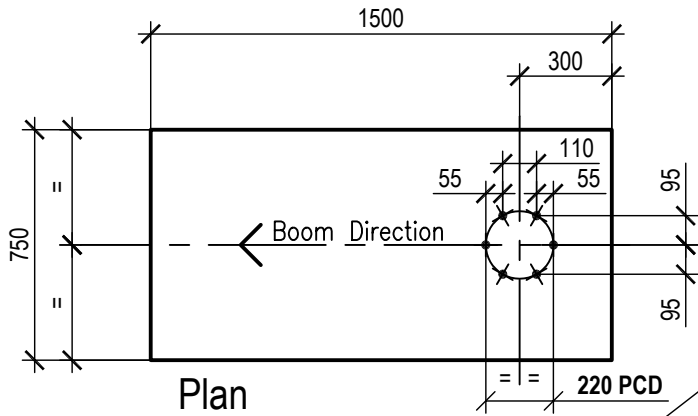
**4m Side Support Square Umbrella
Model: SUA-LS40**



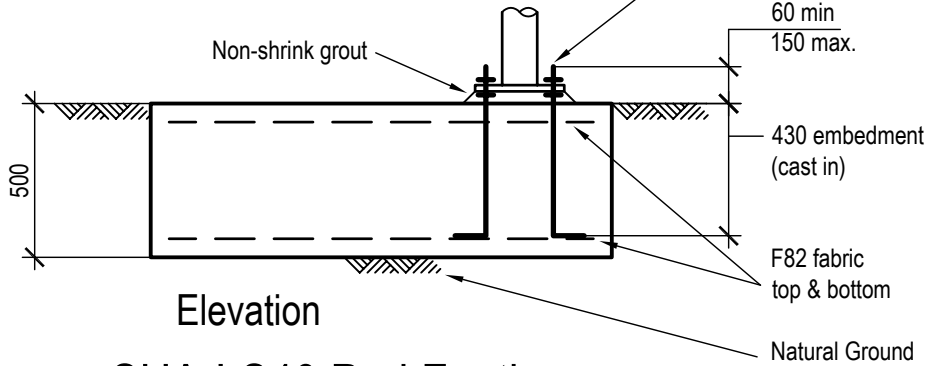
Side Support Series
Model: SUA-LS40

Engineering Framing

**street
umbrellas**
Australia

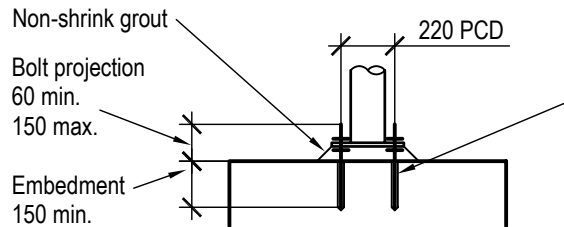


Plan



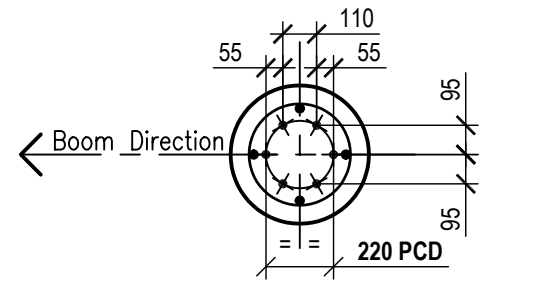
Elevation

SUA-LS40 Pad Footing

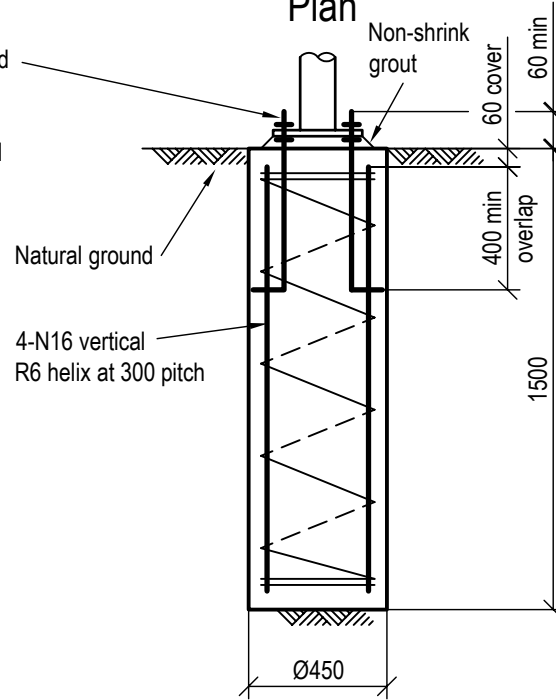


Chemical Anchor Detail

6-M20 H.D. bolts to be threaded rod grade 4.6/s hot dipped galvanised, or stainless steel Gr.316. Supplied with nuts, washers and levelling nuts. Chemical anchors, on 220 PCD, to be **Ramset Reo 502 (or 'Hilti HIT-RE 500')**, or engineer approved equivalent, and to be installed in accordance with the manufacturer's instructions.



Plan



Elevation

SUA-LS40 Pier Footing

Notes:

Design wind speed 33m/sec (W33)

Assumed soil conditions:

Pad - bearing capacity 100kPa

Pier - $c_u=50\text{kPa}$ (stiff clay)

Minimum 60mm cover to all reinforcement

Concrete grade to be N25

20mm aggregate size

Slump 65mm

Anchor bolt location tolerances per

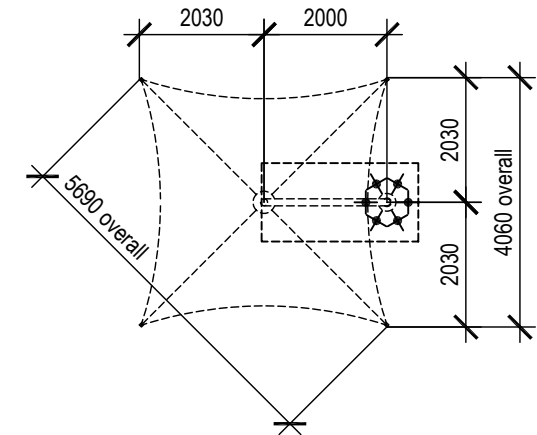
Australian Standard AS 4100-1990

- 3mm for anchor bolt centres within an anchor bolt group.

- 6mm for adjacent anchor bolt group centres.

- Maximum accumulation of 6mm per 30m not to exceed a total of 25mm.

- 6mm from anchor bolt group centre to column line centre.



H.D. Bolt Layout Plan

Not to scale

Side Support Series
Model: SUA-LS40

Footings Detail

street
umbrellas
Australia