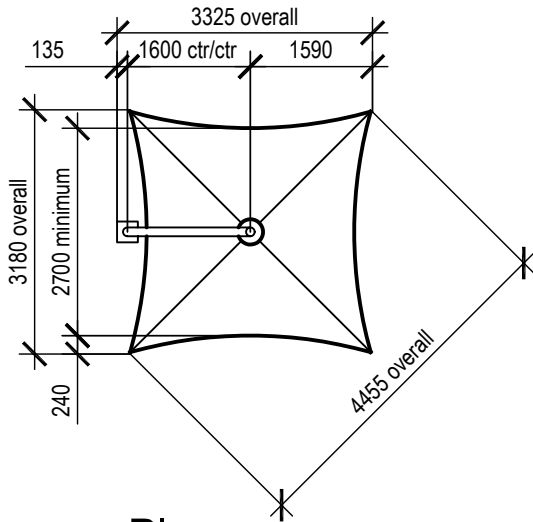


**SQUARE 3.2m - SUA-LS32**

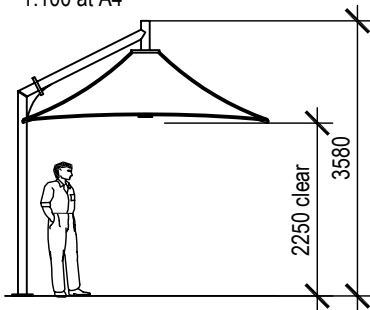
Wind Rating: 33m/sec (120km/h)  
 Rated when umbrella is fully erected.  
 Umbrella weight: 69kg  
 Boom weight: 94kg

Overall dimensions represent clearance dimensions for the complete umbrella.  
 Membrane dimensions differ, depending on variations in tensioning and fabrication.  
 Dimensions are in millimetres.



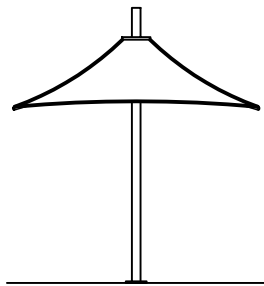
**Plan**

1:100 at A4



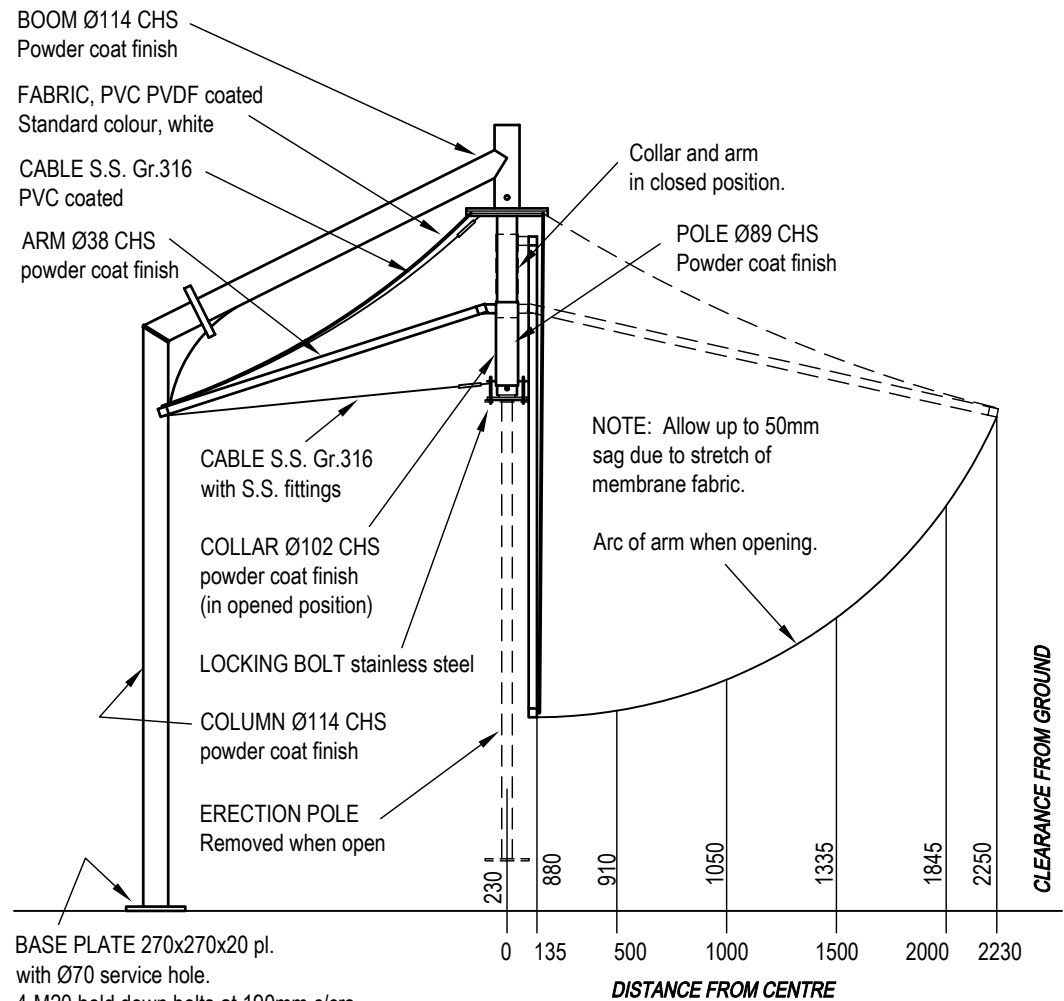
**Side Elevation**

1:100 at A4



**Elevation**

1:100 at A4



BASE PLATE 270x270x20 pl.  
 with Ø70 service hole.  
 4-M20 hold down bolts at 190mm c/crs.  
 Grade 4.6/s galvanised or stainless steel Gr.316.  
 With dome nuts and levelling nuts.

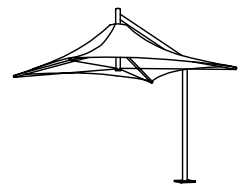
OPENED POSITION

View square to boom

CLOSED POSITION

View square to arm

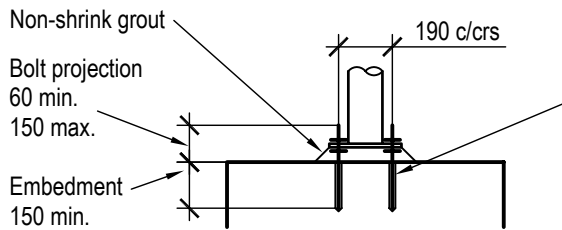
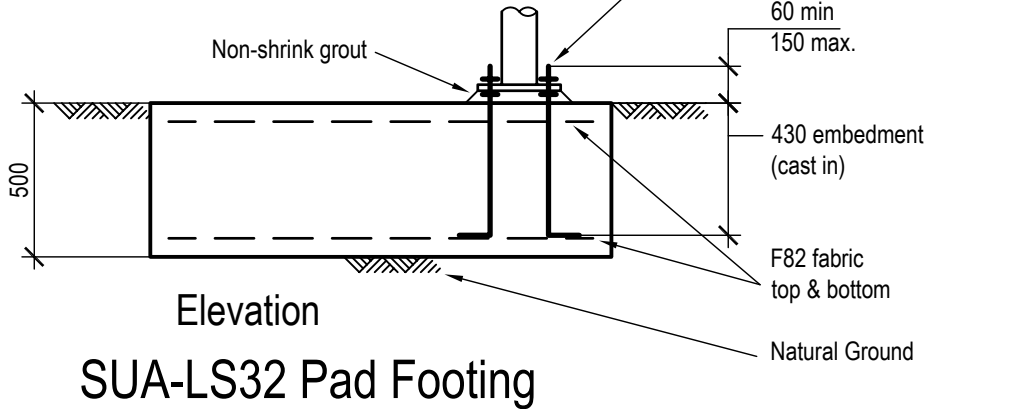
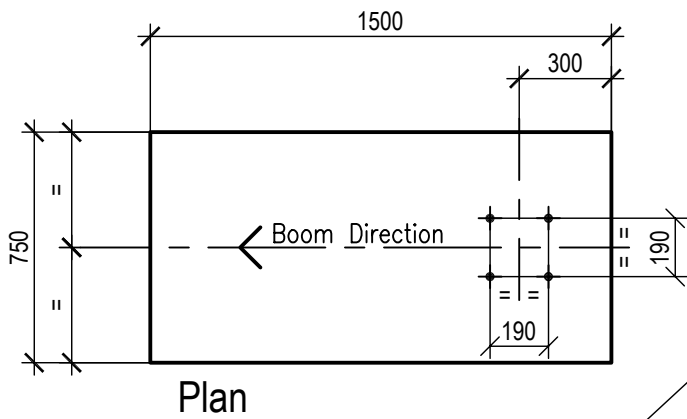
**3.2m Side Support Square Umbrella  
 Model:SUA- LS32**



Side Support Series  
 Model:SUA-LS32

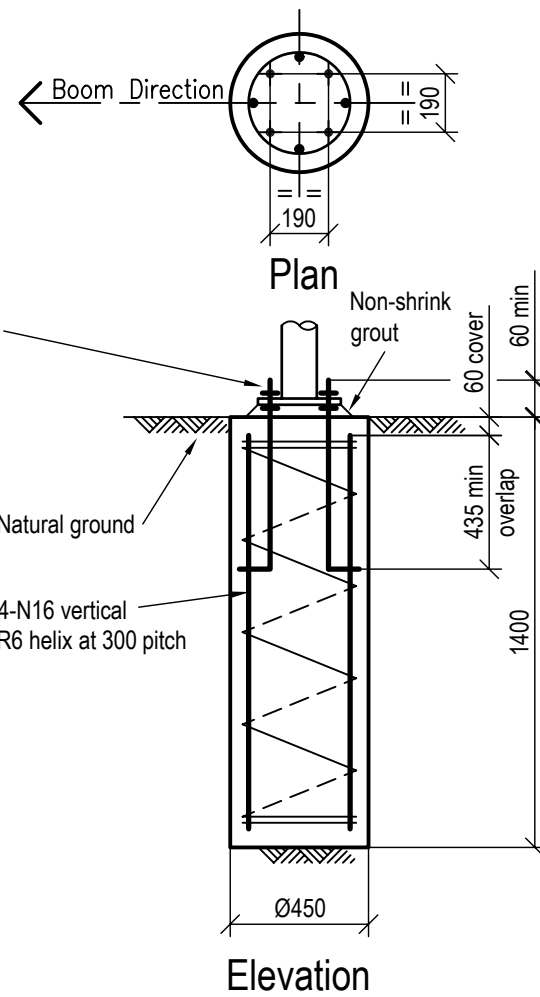
Engineering Framing

**street  
 umbrellas**  
 Australia

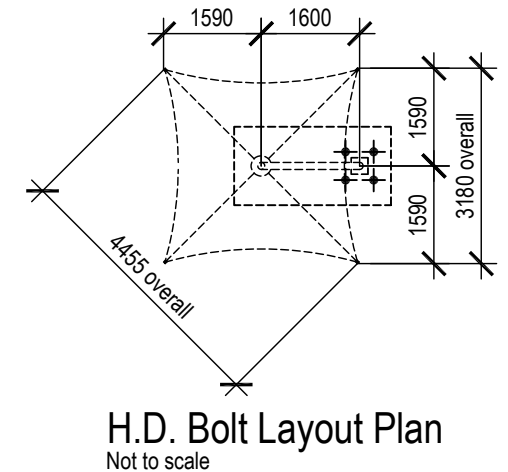


4-M20 H.D. bolts to be threaded rod grade 4.6/s hot dipped galvanised, or stainless steel Gr.316. Supplied with nuts, washers and levelling nuts. Chemical anchors, at 190 x 190 centres to be **'Ramset Reo 502'** (or **'Hilti HIT-RE 500'**), or engineer approved equivalent, and to be installed in accordance with the manufacturer's instructions.

Chemical Anchor Detail



SUA-LS32 Pier Footing



**Notes:**  
Design wind speed 33m/sec (W33)

Assumed soil conditions:  
Pad - bearing capacity 100kPa  
Pier -  $c_u=50\text{kPa}$  (stiff clay)

Minimum 60mm cover to all reinforcement  
Concrete grade to be N25  
20mm aggregate size  
Slump 65mm

**Anchor bolt location tolerances** per Australian Standard AS 4100-1990

- 3mm for anchor bolt centres within an anchor bolt group.
- 6mm for adjacent anchor bolt group centres.
- Maximum accumulation of 6mm per 30m not to exceed a total of 25mm.
- 6mm from anchor bolt group centre to column line centre.