

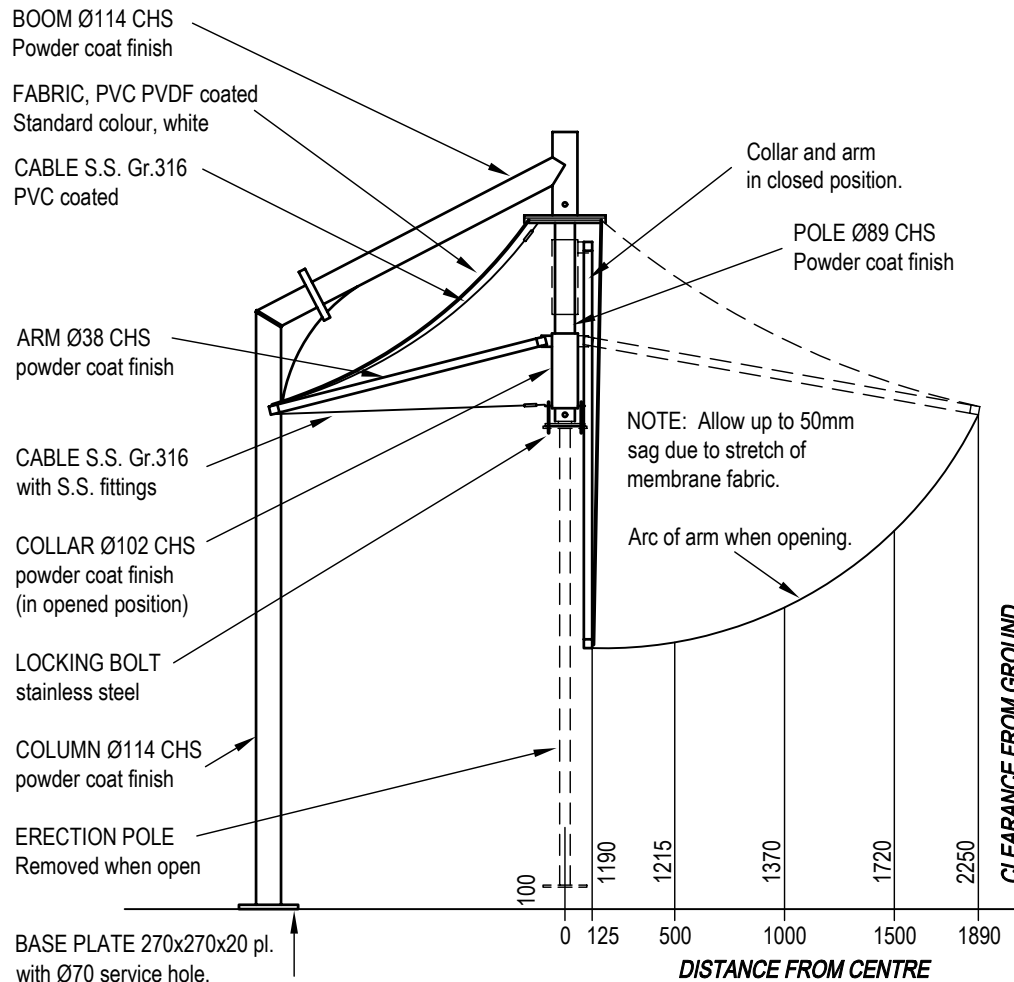
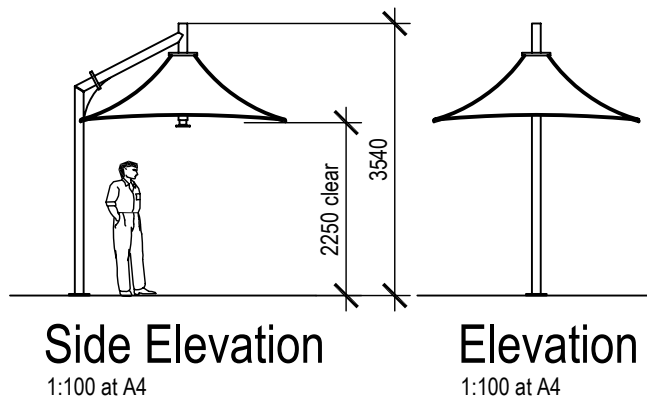
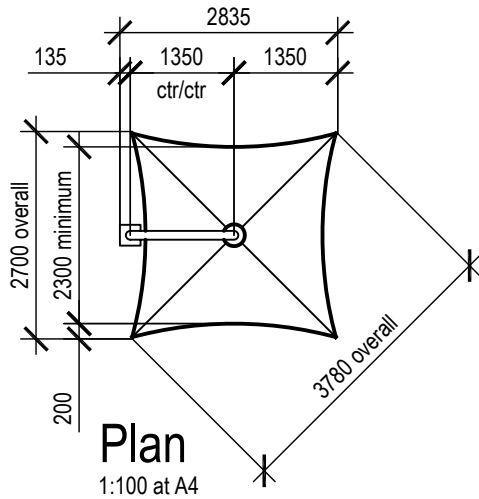
**SQUARE 2.7m - SUA-LS27**

Wind Rating: 33m/sec (120km/h)

Rated when umbrella is fully erected.

Umbrella weight: 52kg

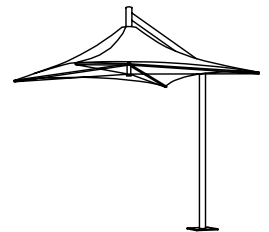
Overall dimensions represent clearance dimensions for the complete umbrella.  
Membrane dimensions differ, depending on variations in tensioning and fabrication.  
Dimensions are in millimetres.



OPENED POSITION  
View square to boom

CLOSED POSITION  
View square to arm

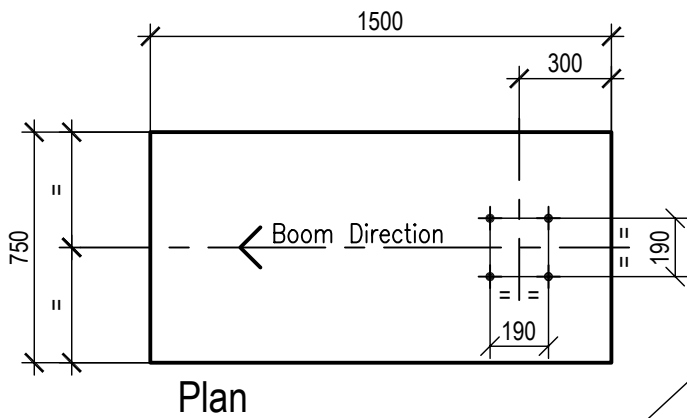
**2.7m Side Support Square Umbrella  
Model: SUA-LS27**



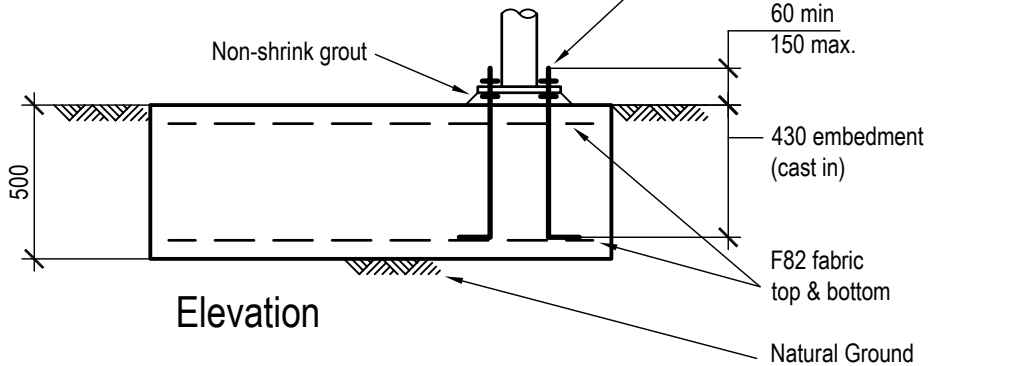
Side Support Series  
Model:SUA-LS27

Engineering Framing

**street  
umbrellas**  
Australia

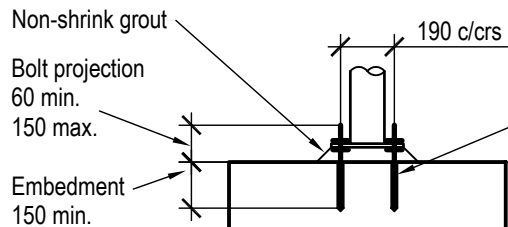


Plan



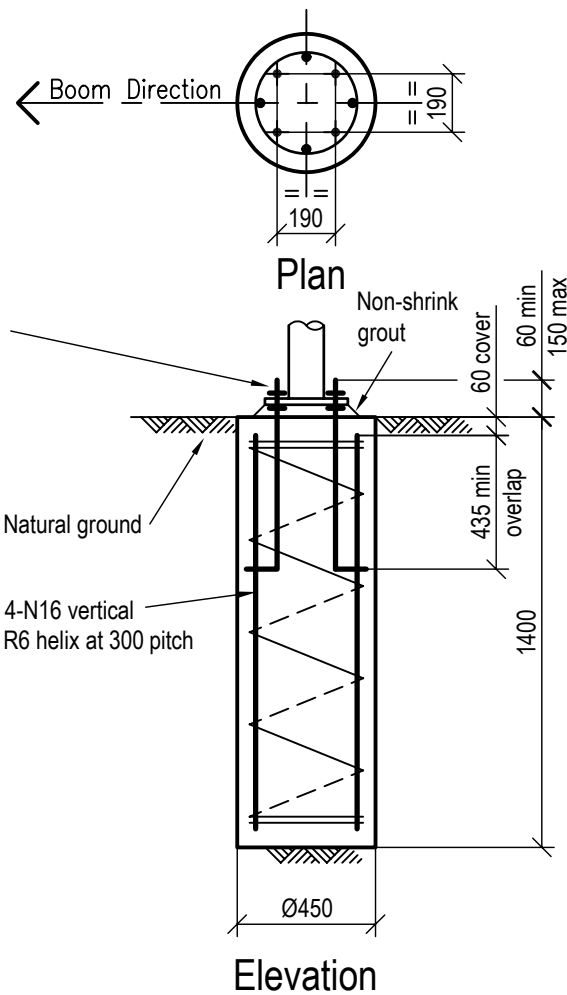
Elevation

## SUA-LS27 - Pad Footing



## Chemical Anchor Detail

4-M20 H.D. bolts to be threaded rod grade 4.6/s hot dipped galvanised, or stainless steel Gr.316. Supplied with nuts, washers and levelling nuts. Chemical anchors, at 190 x 190 centres to be 'Ramset Reo 502' (or 'Hilti HIT-RE 500'), or engineer approved equivalent, and to be installed in accordance with the manufacturer's instructions.



Elevation

## SAU-LS27 Pier Footing

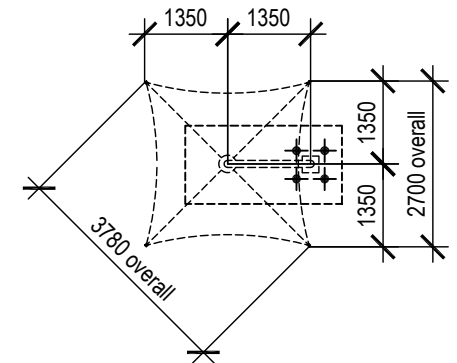
**Notes:**  
Design wind speed 33m/sec (W33)

Assumed soil conditions:  
Pad - bearing capacity 100kPa  
Pier -  $c_u=50$ kPa (stiff clay)

Minimum 60mm cover to all reinforcement  
Concrete grade to be N25  
20mm aggregate size  
Slump 65mm

**Anchor bolt location tolerances** per Australian Standard AS 4100-1990

- 3mm for anchor bolt centres within an anchor bolt group.
- 6mm for adjacent anchor bolt group centres.
- Maximum accumulation of 6mm per 30m not to exceed a total of 25mm.
- 6mm from anchor bolt group centre to column line centre.



H.D. Bolt Layout Plan  
Not to scale

Side Support Series  
Model: SUA-LS27

Footings Detail

street  
umbrellas  
Australia