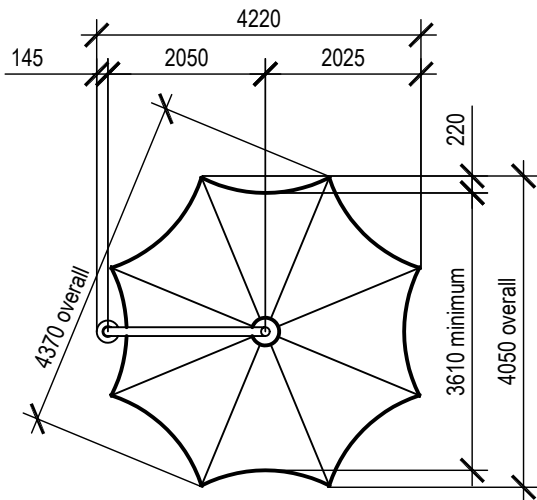


OCTAGONAL 4m - SUA-LO40

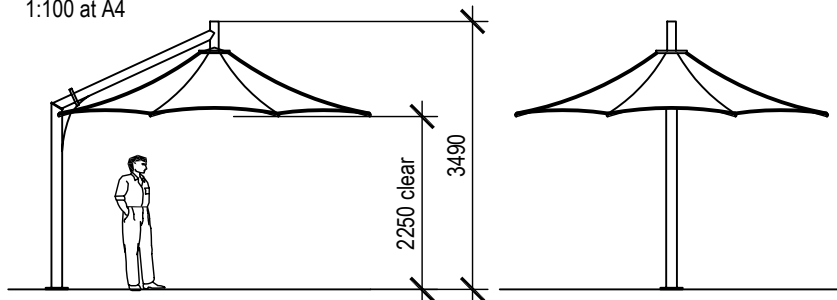
Wind Rating: 33m/sec (120km/h)
 Rated when structure is fully erected.
 Umbrella weight: 80kg

Overall dimensions represent clearance dimensions for the complete structure.
 Membrane dimensions differ, depending on variations in tensioning and fabrication.
 Dimensions are in millimetres.



Plan

1:100 at A4

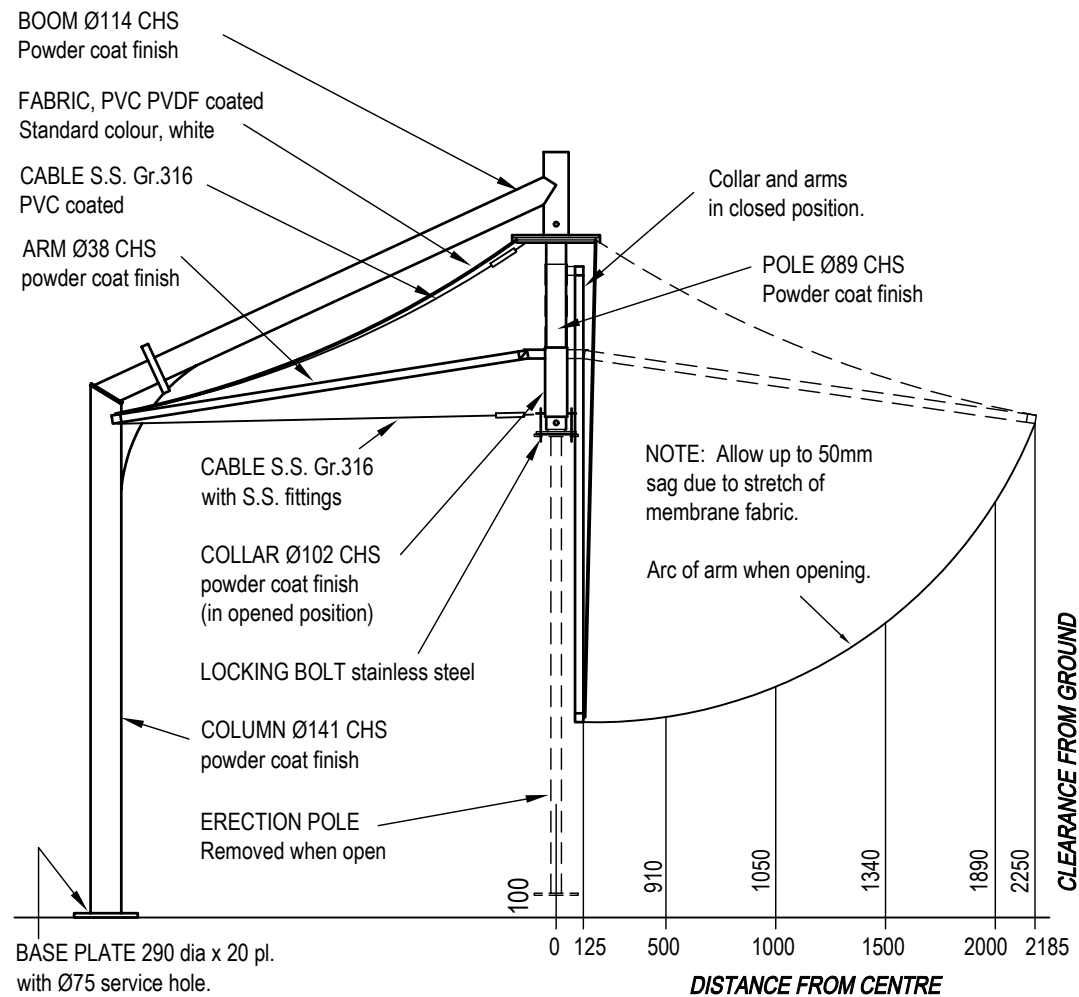


Side Elevation

1:100 at A4

Elevation

1:100 at A4



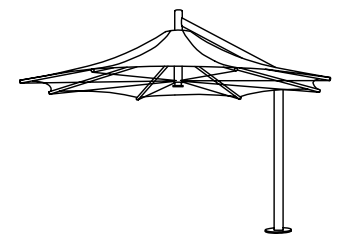
OPENED POSITION

View square to boom

CLOSED POSITION

View square to arm

**4m Side Support Octagonal Umbrella
 Model SUA-LO40**



Side Support Series
 Model:SUA-LO40

Engineering Framing



