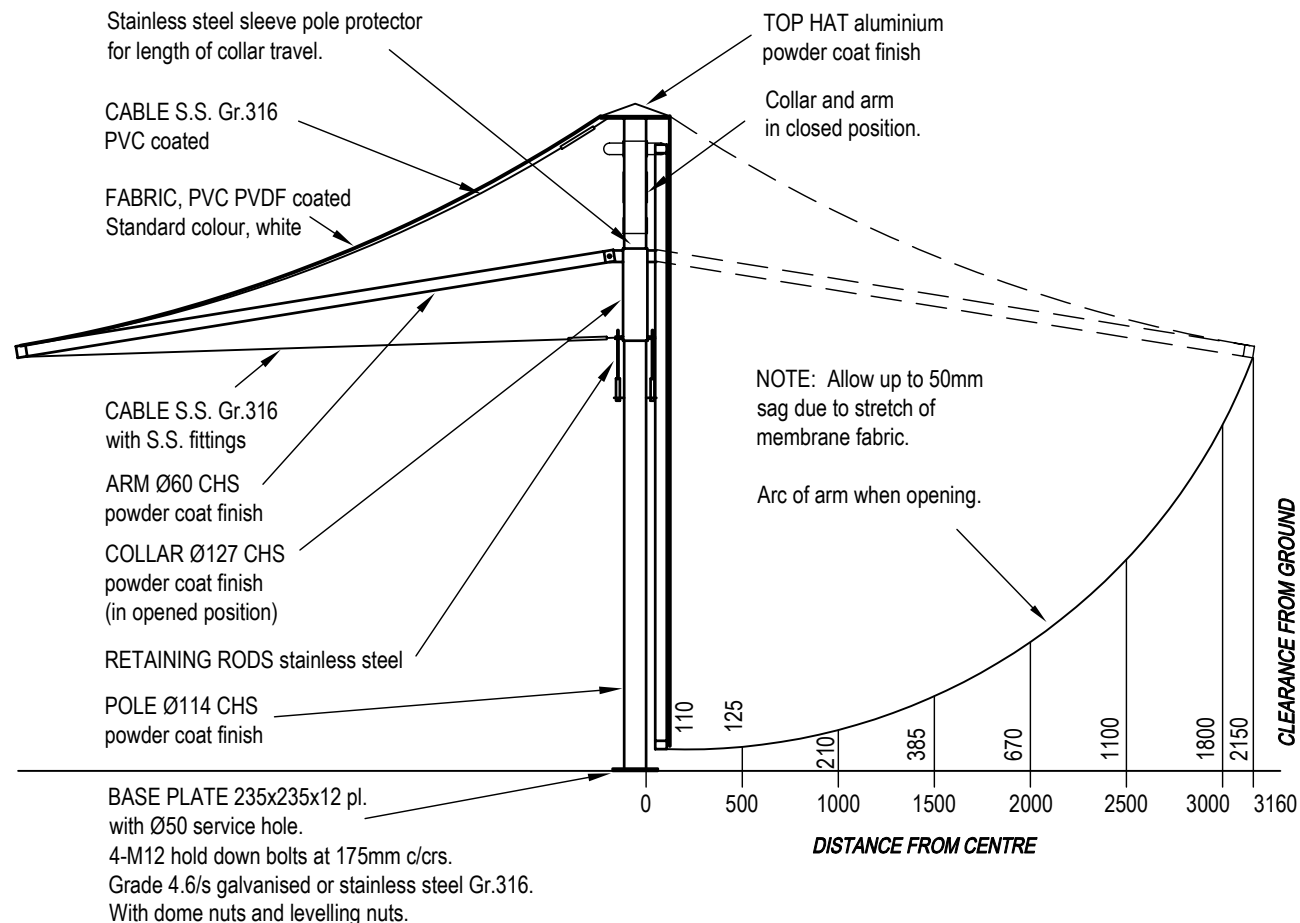
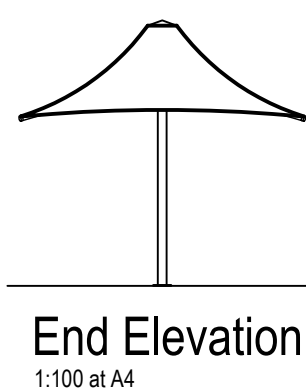
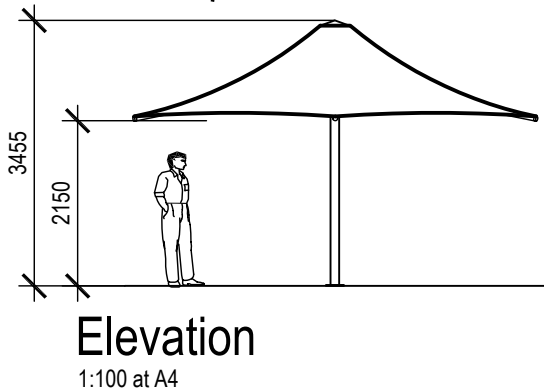
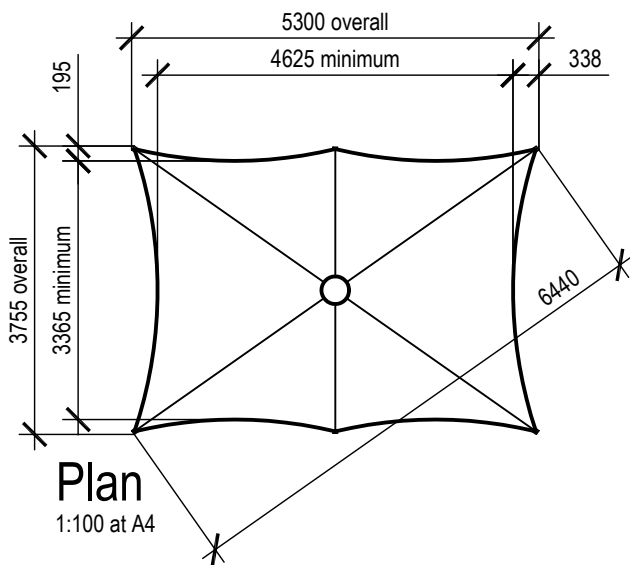


RECTANGULAR 5.3m - SUA-CR53

Wind Rating: 33m/sec (120km/h)
 Rated when umbrella is fully erected.
 Umbrella weight: 115kg

Overall dimensions represent clearance dimensions for the complete umbrella.
 Membrane dimensions differ, depending on variations in tensioning and fabrication.

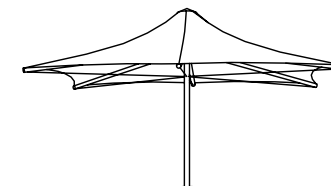
Dimensions are in millimetres.



OPENED POSITION

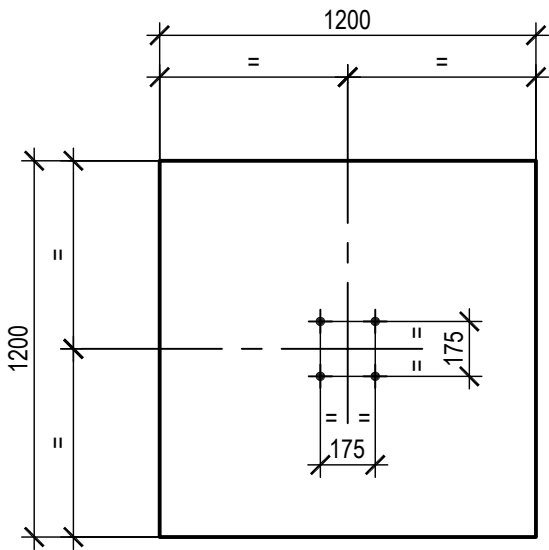
CLOSED POSITION

5.3m Centre Support Rectangular Umbrella Model SUA-CR53

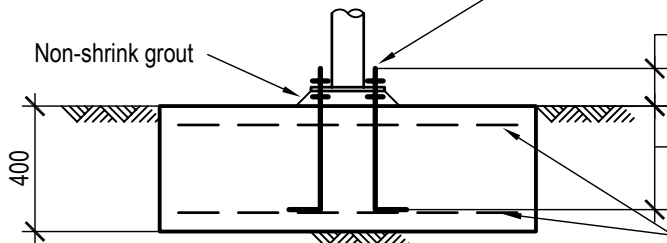


Centre Support Rectangular Umbrella
 Model:SUA-CR53





Plan



Elevation

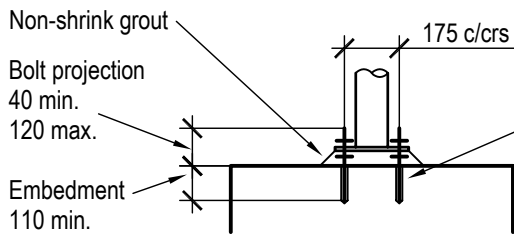
4-M12 Gr.4.6/S galvanised H.D. bolts with nuts and levelling nuts - Cog 100 Bolt projection to suit level of top of paving, tiling, etc 40 min 120 max.

330 embedment (cast in)

F82 fabric top & bottom

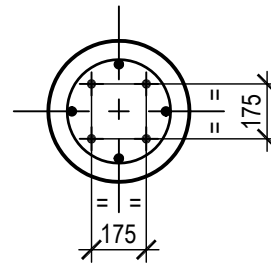
Natural Ground

SUA-CR53 Pad Footing

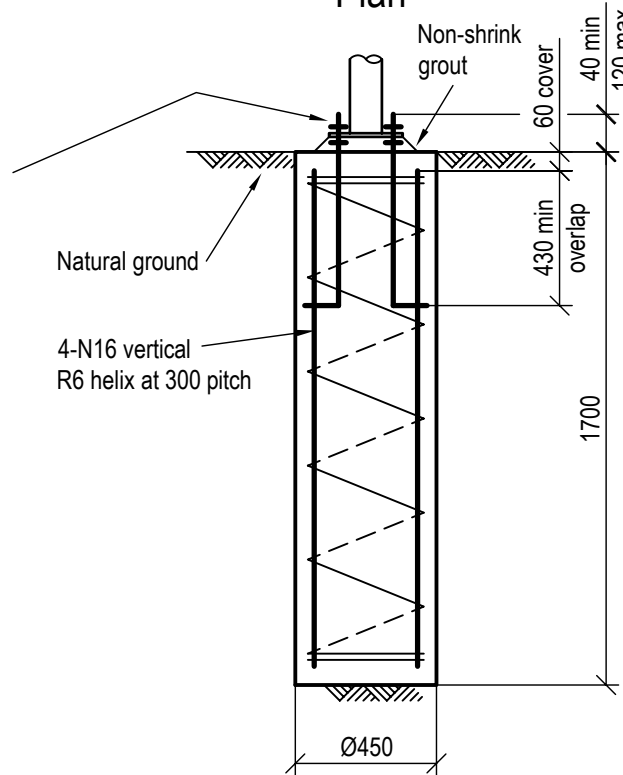


4-M12 H.D. bolts to be threaded rod grade 4.6/s hot dipped galvanised, or stainless steel Gr.316. Supplied with nuts, washers and levelling nuts. Chemical anchors, at 175 x 175 centres to be 'Hilti HVU', or engineer approved equivalent, and to be installed in accordance with the manufacturer's instructions. Hole to be clean and dry at time of installation.

Chemical Anchor Detail



Plan



Elevation

SUA-CR53 Pier Footing

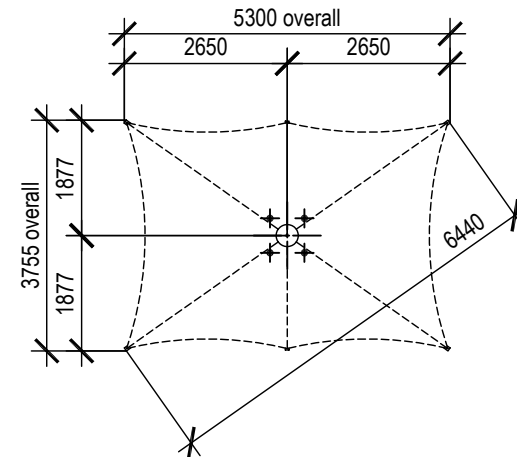
Notes:
Design wind speed 33m/sec (W33)

Assumed soil conditions:
Pad - bearing capacity 100kPa
Pier - cu=50kPa (stiff clay)

Minimum 60mm cover to all reinforcement
Concrete grade to be N25
20mm aggregate size
Slump 65mm

Anchor bolt location tolerances per Australian Standard AS 4100-1990

- 3mm for anchor bolt centres within an anchor bolt group.
- 6mm for adjacent anchor bolt group centres.
- Maximum accumulation of 6mm per 30m not to exceed a total of 25mm.
- 6mm from anchor bolt group centre to column line centre.

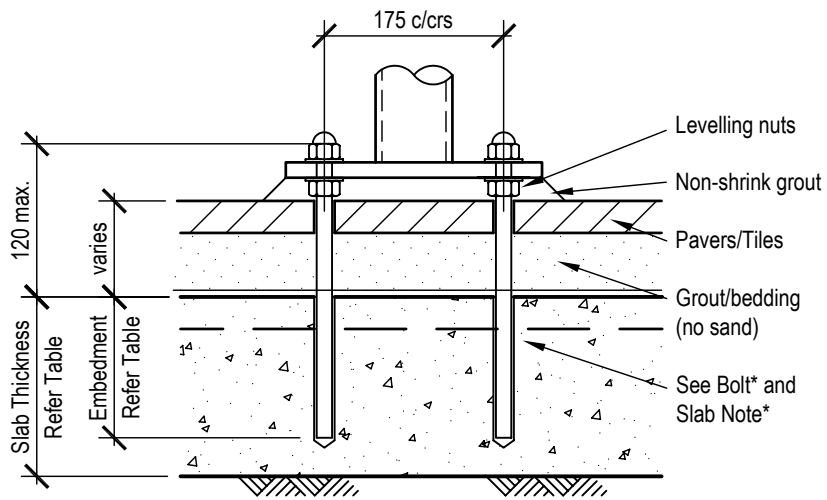


H.D. Bolt Layout Plan
Not to scale

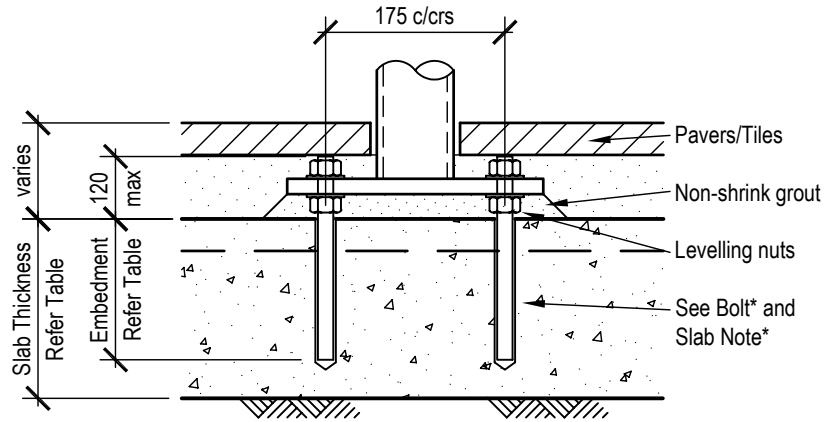
Centre Support Rectangular Umbrella
Model:SUA-CR53

Footings Detail

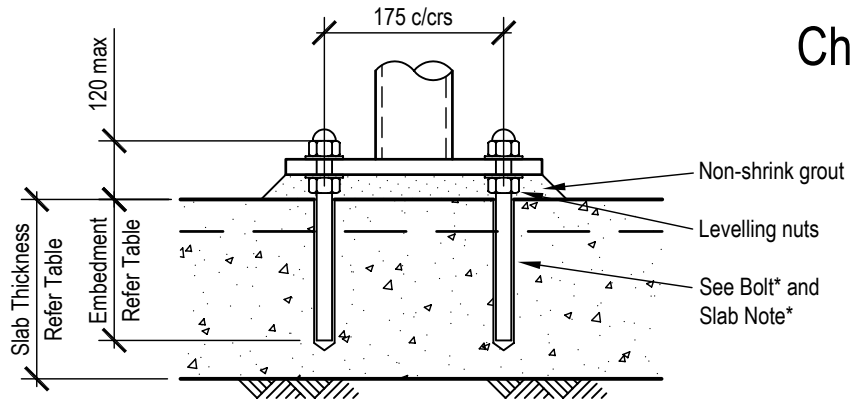
street
umbrellas
Australia



Over Pavers



Under Pavers



On Slab

Chemical Anchor Fixing to Slab on Ground

* H.D. BOLT NOTE

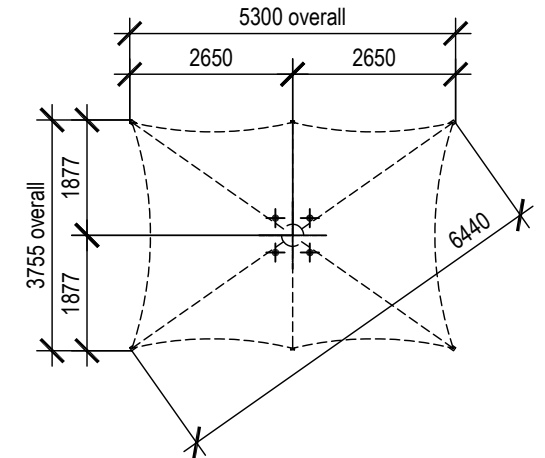
Structure pole has 235 x 235 x 12 base plate.
4-M12 H.D. bolts to be threaded rod grade 4.6/s hot dipped galvanised, or stainless steel Gr.316. at 175 x 175 centres.

* SLAB ON GROUND NOTE

The existing reinforced concrete slab on ground is to be approved for adequacy by a Structural Engineer before installation. Concrete strength - f'c 25MPa.

Installation requires **1 sq m** of continuous reinforced slab with the pole centre 400mm minimum from a slab edge or control joint.

Contact a SUA Dealer if the slab does not meet any of the requirements.



H.D. Bolt Layout Plan

Not to scale

Slab Thickness	Chemical Anchor	Min. Embedment	H.D. Bolts*	Min. Slab Edge Distance*
100	Ramset Reo 502 (or Hilti HIT-RE 500)	80	4-M12 at 175 c/crs	400
110	Ramset Reo 502 (or Hilti HIT-RE 500)	90	4-M12 at 175 c/crs	400
120	Ramset Reo 502 (or Hilti HIT-RE 500)	100	4-M12 at 175 c/crs	400
130	Hilti HVU	110	4-M12 at 175 c/crs	400
140 plus	Hilti HVU	110	4-M12 at 175 c/crs	400

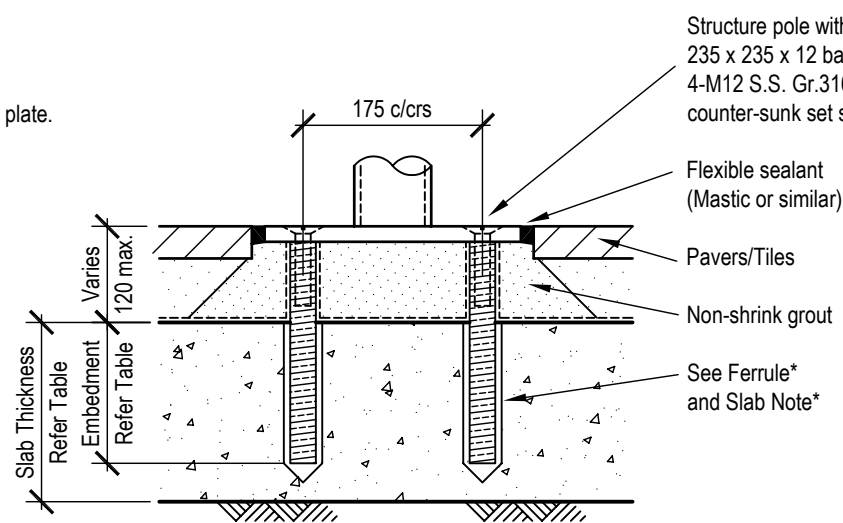
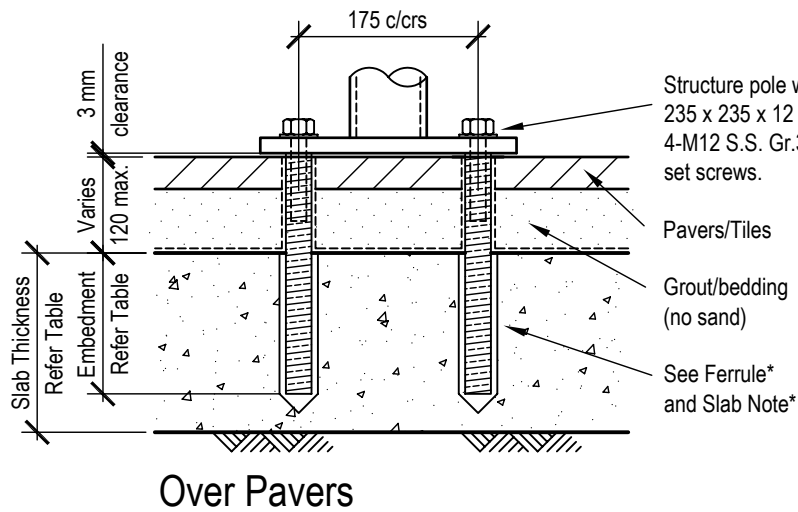
Chemical anchor to be as above or Engineer approved equivalent, and to be installed in accordance with the manufacturer's instructions.

Installation Detail - Model SUA-CR53

Centre Support Rectangular Umbrella
Model:SUA-CR53

street
umbrellas
Australia

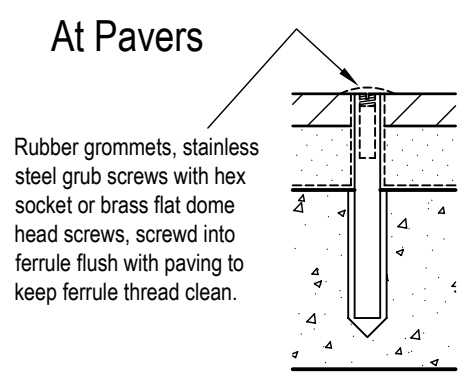
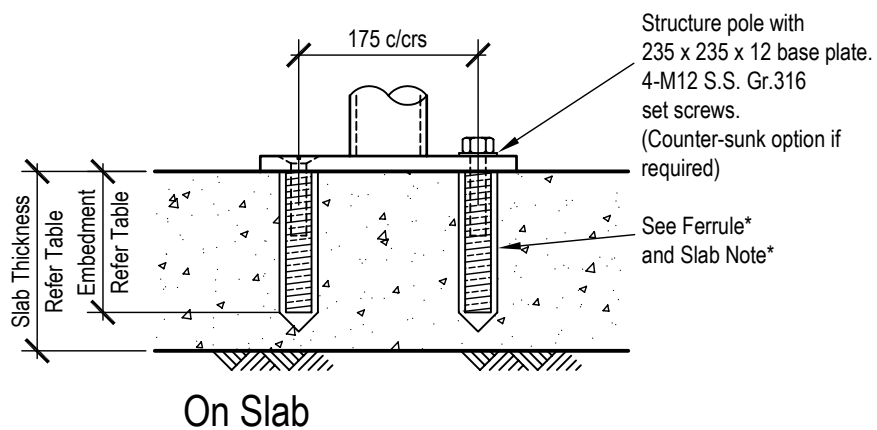
Existing Slab on Ground



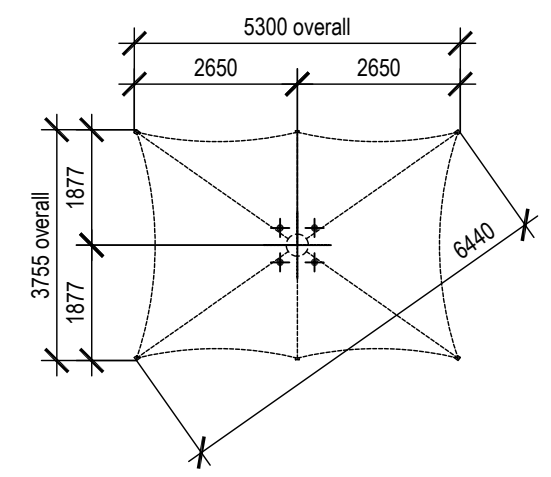
*** FERRULE NOTE**
 Ferrules at 175 x 175 centres are M20 stainless steel Gr.316 threaded rods tapped for M12.

*** SLAB ON GROUND NOTE**
 The existing reinforced concrete slab on ground is to be approved for adequacy by a Structural Engineer before installation. Concrete strength - f_c 25MPa. Installation requires **1 sq m** of continuous reinforced slab with the pole centre 400mm minimum from a slab edge or control joint.

Contact a SUA Dealer if the slab does not meet any of the requirements.



Ferrule Fixing with Umbrella Removed



H.D. Bolt Layout Plan
 Not to scale

Chemical Anchor Fixing to Slab on Ground

Slab Thickness	Chemical Anchor	Min. Embedment	Ferrules*	Min. Slab Edge Distance*
100	Ramset Reo 502 (or Hilti HIT-RE 500)	80	4-M12 at 175 c/crs	400
110	Ramset Reo 502 (or Hilti HIT-RE 500)	90	4-M12 at 175 c/crs	400
120	Ramset Reo 502 (or Hilti HIT-RE 500)	100	4-M12 at 175 c/crs	400
130	Hilti HVU	110	4-M12 at 175 c/crs	400
140 plus	Hilti HVU	110	4-M12 at 175 c/crs	400

Chemical anchor to be as above or Engineer approved equivalent, and to be installed in accordance with the manufacturer's instructions.

Ferrule Detail Model SUA-CR53

Centre Support Rectangular Umbrella
 Model:SUA-CR53



Ferrule Fixing