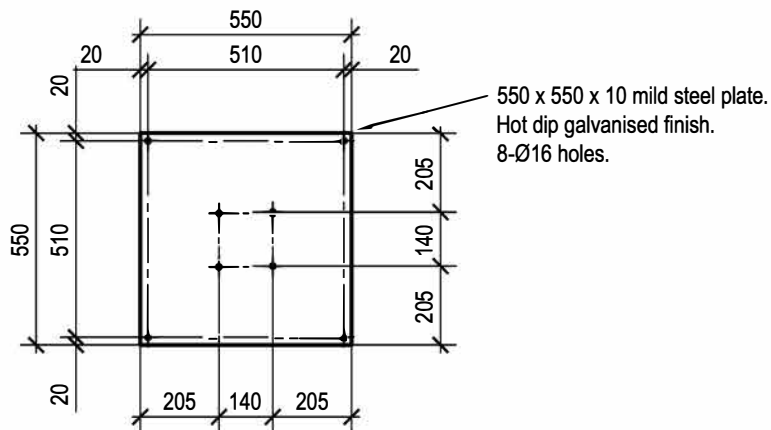
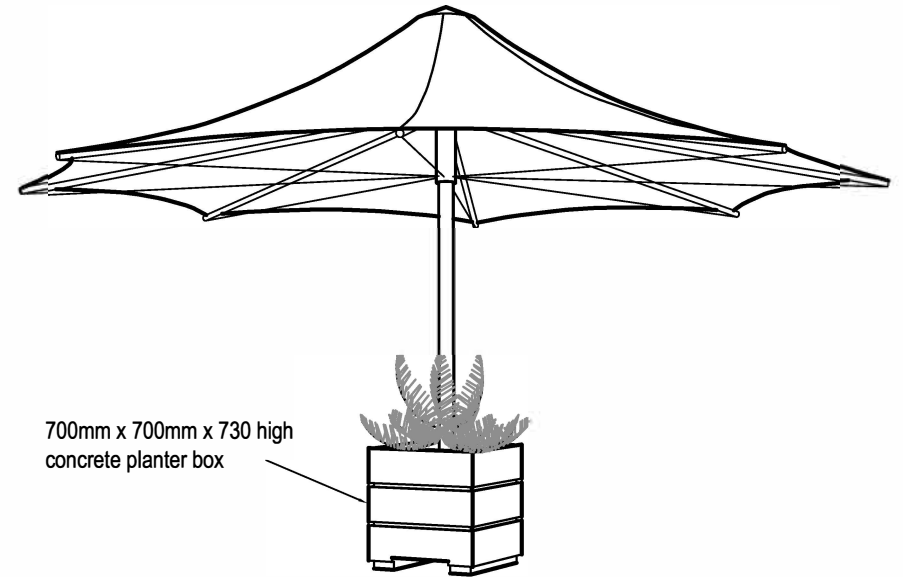


Planter Box Installation



Planter Base Plate Detail



Typical Arrangement

Australia and New Zealand Only.
International Representatives/Customers may locally source concrete planters of the same (or greater) dimensions and weight.

The concrete planter box is a product of Precast Concrete Pty Ltd, Goodna Qld. Planter box is to be made up of a planter base and 2 rings (3 sections total) and to be filled with sand.
Total planter weight with sand - 627 kg.

Rated wind speeds are modified as follows:

CS32 - 108 km/h (30 m/sec) (80mph Exp B)
CS38 - 108 km/h (30 m/sec) (80 mph Exp B)
CO40 - 100 km/h (28 m/sec) (75 mph Exp B)
CO50 - 80 km/h (22 m/sec) (60 mph Exp B)
CTS43 - 80 km/h (22 m/sec) (60 mph Exp B)

Concrete Planter Box
Architectural Umbrellas

Installation

street
umbrellas
Australia