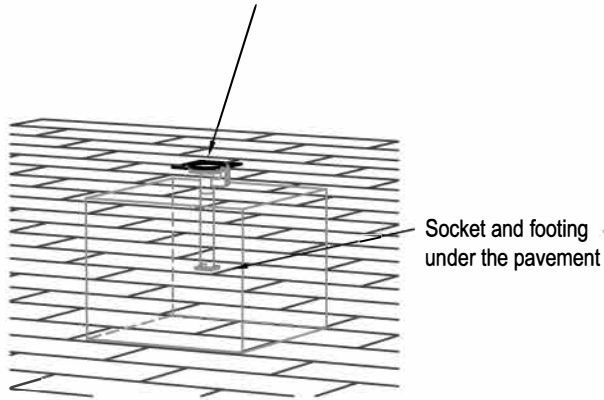


Umbrella Removed

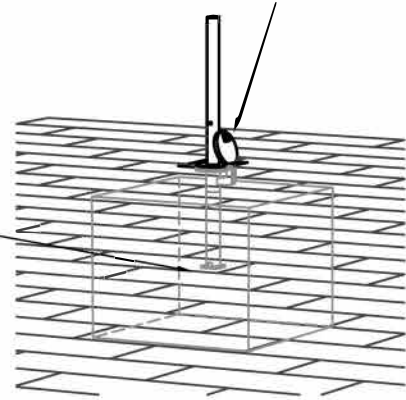
The pavement socket is installed under the pavement on a footing so that the top of the socket is flush with the pavement.

After removal of the umbrella, the socket cover plate closes flush with the pavement.



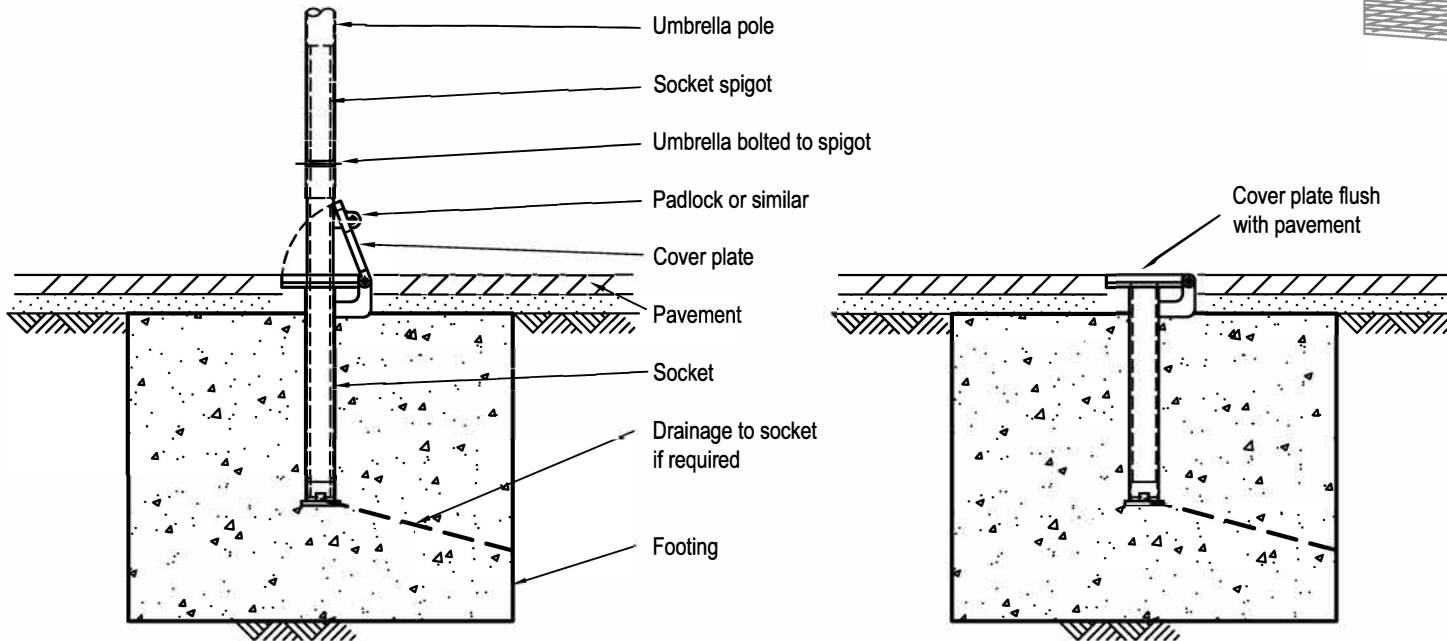
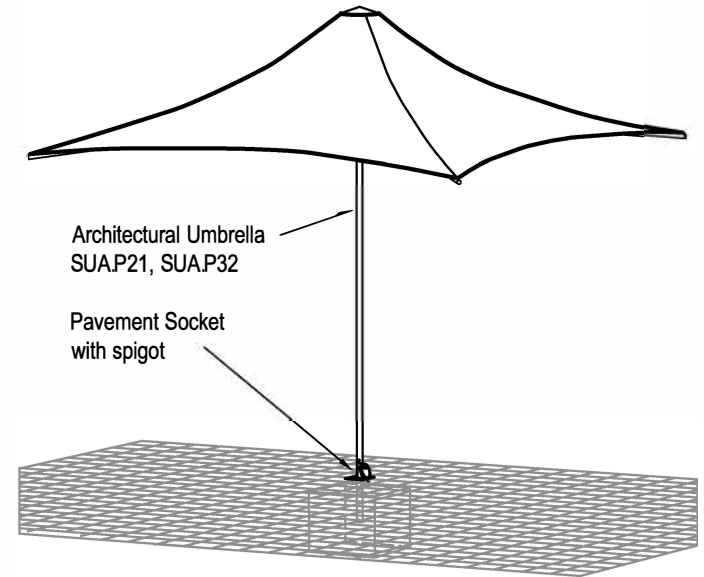
Umbrella Spigot Installed

When the umbrella spigot is installed into the socket the open cover plate is locked onto the spigot cleat with a padlock. This provides security for the umbrella and locks the umbrella in place. The use of a spigot allows the standard Portable umbrellas to be used with no alteration to them.



Umbrella Installed - Typical Arrangement

The models suitable for the socket are the SUAP21 and SUAP32. These Porta Series models are supplied as standard with no alterations needed to fit to the socket spigot.



Typical Detail - Umbrella Installed and Removed

Pavement Socket
Portable Series

Installation

street
umbrellas
Australia